

Price List

JACOBSEN

A Textron Company

Commercial Grounds Care Equipment

**NJPA AWARDED
CONTRACT**

Contract Number 070313-JCS

Effective November 15, 2016

SUPERSEDES AND VOIDS ALL PREVIOUS PRICES

All prices and terms are subject to change without notice. Orders are accepted with the understanding that prices and terms in effect at the time of shipment will prevail. All prices are Ex Works (buyer bears the cost/risks from the factory works to the buyer's destination), unless otherwise stated. The prices exclude freight, dealer set-up charges and any local, city or state taxes.

Model numbers must be specified when ordering.

The Manufacturer reserves the right to change and modify design or equipment as herein set forth without incurring any obligations either with respect to machines previously sold or in process of construction.

© COPYRIGHT 2016 A Textron Company/Textron Innovations, Inc.
"All rights reserved, including the right to reproduce this material or portions thereof in any form."



JACOBSEN
A Textron Company

11108 Quality Drive
Charlotte, North Carolina 28273

GROUNDS CARE PRODUCTS PRICE LIST CONTENTS

TURF PRODUCT PRICE LIST CONTENTS

Effective November 15, 2016

<i>Product Line / Model</i>	<i>Page Rev Date</i>	<i>Page Number</i>
Walk-Behind Reel Mowers		
ECLIPSE® 2 118, 122, 126	November 15, 2016	1 – 5
PGM 22™	November 15, 2016	6
Greens King 518, 522, 526	November 15, 2016	7 – 9
Mower Caddy	November 15, 2016	9
Small Area Reel Mowers		
ECLIPSE® 322	November 15, 2016	10 – 12
GP400	November 15, 2016	13 – 14
Greens King™ IV	November 15, 2016	15 – 16
Tri-King® Triplex Mowers 1900 Series	November 15, 2016	17
TR-3™ Triplex Mower	November 15, 2016	18
Large Area Reel Mowers		
SLF-1880 Super Lightweight.....	November 15, 2016	19
LF510	November 15, 2016	20 – 21
LF550, LF557	November 15, 2016	22 – 23
LF570, LF577	November 15, 2016	24 – 25
MH5.....	November 15, 2016	25
Turf Groomers		
Turf Groomer® for Small Area Reel and Large Area Reel Mowers	November 15, 2016	26
Bi-Directional Groomer/ Brush	November 15, 2016	26
Zero Turn Mowers		
ZT400 Series.....	November 15, 2016	27
ZT600 Series.....	November 15, 2016	27
RZT Pro Series.....	November 15, 2016	27
SZT Pro Series.....	November 15, 2016	28
WZT Pro Series.....	November 15, 2016	28
Large Area Rotary Mowers		
AR-3™ Triplex Mower.....	November 15, 2016.....	29
AR522™	November 15, 2016	29
AR722T™	November 15, 2016	30
TurfCat®	November 15, 2016	31
HR™ Series (HR600, HR700, HR800).....	November 15, 2016	32
Renovation and Finishing Equipment		
Groom Master® II.....	November 15, 2016	33
214 Verticut	November 15, 2016	33
Greensaire® 24 (GA-24) Aerator	November 15, 2016	34
GA600 Tractor-Mount Aerator.....	November 15, 2016	34
Specialty Mowers		
HoverKing.....	November 15, 2016	34
Utility Vehicles and Sprayers		
Truckster LS/LX, MS/MX, MS-E/MX-E	November 15, 2016	35 – 36
Truckster HX	November 15, 2016	37
Truckster XD®	November 15, 2016	38 – 39
SprayTek XP®	November 15, 2016	40 – 41
Dixie Chopper Products		
Commerical Models	November 15, 2016	42
Residential Models	November 15, 2016	43



Model No.	Description	NJPA Net Price	
		USD	List Price USD
Walk-Behind Reel Mowers			

ECLIPSE2 118 ECLIPSE2 Series fixed and floating head walking greens mowers in Hybrid or Battery power. "F" models feature a fully floating cutting head. All models feature InCommand™ control systems with Operator Presence Controls (OPC). Includes two 48 volt brushless DC weather sealed motors, electronic control module with LCD display, grass catcher, band type brakes and kickstand. Hybrid versions feature gen-set with sealed brushless generator. Battery versions feature removable 48 Volt 20-amp battery pack (less battery cells) and 5-amp (dual voltage) charger. All models less front roller and transport wheels. All models ship crated.

Hybrid Models

063334	ECLIPSE2 118, Hybrid, 18" w/ 11 blade reel, Super Tournament bedknife	\$9,301.80	\$12,570.00
063335	ECLIPSE2 118, Hybrid, 18" w/ 15 blade reel, Super Tournament bedknife	\$9,439.44	\$12,756.00
063336	ECLIPSE2 118F, Hybrid, 18" w/ 11 blade reel, Super Tournament bedknife	\$9,716.94	\$13,131.00
063337	ECLIPSE2 118F, Hybrid, 18" w/ 15 blade reel, Super Tournament bedknife	\$9,847.18	\$13,307.00

Battery Models

063343	ECLIPSE2 118, Battery, 18" w/ 11 blade reel, Super Tournament bedknife	\$8,705.36	\$11,764.00
063344	ECLIPSE2 118, Battery, 18" w/ 15 blade reel, Super Tournament bedknife	\$8,843.00	\$11,950.00
063345	ECLIPSE2 118F, Battery, 18" w/ 11 blade reel, Super Tournament bedknife	\$9,109.40	\$12,310.00
063346	ECLIPSE2 118F, Battery, 18" w/ 15 blade reel, Super Tournament bedknife	\$9,247.04	\$12,496.00

Rollers (1 required unless Turf Groomer is selected)

063318	18" Grooved machined aluminum roller (2 - 3/16" diameter)	\$271.58	\$367.00
068616	18" Grooved machined steel roller (2 - 3/16" diameter)	\$271.58	\$367.00
068626	18" Solid tube steel roller, with scraper (2 - 3/16" diameter)	\$313.76	\$424.00
* 4108920	18" Hollow smooth tube steel roller (2" diameter)	\$180.57	\$244.01

Accessories

063305	Power Module, Hybrid (includes gen-set & hardware)	\$1,392.68	\$1,882.00
063306	Power Module, Battery (includes battery box assy, charger, mounting tray and hardware)	\$810.30	\$1,095.00
063320	LED Light Kit	\$281.94	\$381.00
062293	Wheel Kit, Pneumatic Transport Tires (serial numbers below 5000)	\$293.78	\$397.00
(N) 4368506	Kit, Pneumatic Transport Tires Standard (serial number 5000 and up)	\$293.78	\$397.00
(N) 4368507	Kit, Pneumatic Transport Tires Large (serial number 5000 and up; only compatible for floating head models)	\$296.00	\$400.00
062828	TrueSet Cutting Unit ECLIPSE 18" 11 Blade (less links, motor and front roller) (replaces 063309)	\$1,627.26	\$2,199.00
062829	TrueSet Cutting Unit ECLIPSE 18" 15 Blade (less links, motor and front roller) (Replaces 062824)	\$1,753.06	\$2,369.00
063309	18" 11 blade reel assembly for ECLIPSE2 118F (Original 4 Point Adjustment Cutting Units - limited availability, check with customer service)	\$1,579.90	\$2,135.00
062824	18" 15 blade reel assembly for ECLIPSE2 118F (Original 4 Point Adjustment Cutting Units - limited availability, check with customer service)	\$1,702.00	\$2,300.00
* 4266510	18" TrueSet bedknife adjustment conversion kit (convert previous 4-point to new TrueSet) - requires service parts 4266550, 4268351 and 4268352 for units not predrilled	\$259.85	\$351.15
068660	Trailer mounting kit for battery box (to mount Battery Pack onto Trailer)	\$114.70	\$155.00
068122	Grass Catcher (ECLIPSE2 118 and GK518 replacement catcher only)	\$236.06	\$319.00
* 4306316	Grass Catcher (ECLIPSE2 118F replacement catcher only)	\$106.36	\$143.73
067993	18" Turf Groomer .25" spacing for ECLIPSE2 118/118F (ECLIPSE2 118 req 067965) (replaces 067970)	\$1,867.76	\$2,524.00
067965	Kit, Adapts Turf Groomer for use on ECLIPSE2 118 and 122	\$130.24	\$176.00
068661	5-Amp Battery Charger	\$365.56	\$494.00
068668	Battery Box Assembly (less four 12V20AH battery cells)	\$329.30	\$445.00
* 4173620	Reel to bedknife adjustment wrench for ECLIPSE 118F & 122F (4 Point Adjuster)	\$20.41	\$27.58
067147	Verticut reel .75" spacing for ECLIPSE2 118F (does not require additional kit)	\$1,877.38	\$2,537.00



Contract Number 070313-JCS

Company Confidential

* Service item - purchased through the parts department. (N) - new item or updated part number. All prices are Ex Works Charlotte, NC unless otherwise specified

Model No.	Description	NJPA Net Price	
		USD	List Price USD

Bi-Directional Groomer/ Brush One option must be selected from each group except "Other" to make a functional groomer or brush system. Note: The Bi-directional groomer / brush system is compatible with the ECLIPSE2 18" floating head models only. It is not compatible with the ECLIPSE2 18" fixed head models.

Drive System			
062900	Drive Groomer/Brush 5in Reel-LH Electric	\$1,190.66	\$1,609.00
Implement - Select one or more based on customer needs			
062907	Groomer, 18in., 1/4in. spacing	\$289.34	\$391.00
062915	Brush, 18in., Herringbone, Stiff Bristle	\$192.40	\$260.00
062916	Brush, 18in., Herringbone, Medium Bristle	\$192.40	\$260.00
062917	Brush, 18in., Herringbone, Soft Bristle	\$192.40	\$260.00
Roller - Select one or more based on customer needs, grooved roller if selected with a groomer must match spacing on groomer			
062930	Front roller, Grooved, 18in., 1/4in. spacing	\$201.28	\$272.00
062931	Front roller, Solid, 18in.	\$217.56	\$294.00
Other - for customers that purchase multiple implement			
062934	Quick change kit	\$202.02	\$273.00
062935	Guide Wheel Kit	\$43.66	\$59.00

Common Maintenance Parts

Classic XP Reels

* 4170202	11 blade, 5" x 18" Classic XP reel cylinder (ECLIPSE2 118)	\$439.64	\$594.11
* 4170220	11 blade, 5" x 18" Classic XP reel cylinder (ECLIPSE2 118F)	\$350.14	\$473.16
* 4225502	15 blade, 5" x 18" Classic XP reel cylinder (ECLIPSE2 118)	\$396.47	\$535.78
* 4225504	15 blade, 5" x 18" Classic XP reel cylinder (ECLIPSE2 118F)	\$396.47	\$535.78

Legendary Bedknives

* 5000098	18" Low Profile Legendary Bedknife (ECLIPSE2 118/118F)	\$35.33	\$47.74
* 5002888	18" Super Tournament Legendary Bedknife (ECLIPSE2 118/118F)	\$33.76	\$45.62
* 4234901	18" Super Tournament XXR Bedknife (ECLIPSE2 118/118F)	\$41.61	\$56.23

MAGKnives

* 4131371	18" Low Profile MAGKnife (ECLIPSE2 118/118F)	\$61.24	\$82.75
* 4131004	18" Super Tournament MAGKnife (ECLIPSE2 118/118F)	\$58.09	\$78.51



Contract Number 070313-JCS

Model No.	Description	NJPA Net Price	
		USD	List Price USD
ECLIPSE2 122	ECLIPSE2 Series fixed and floating head walking greens mowers in Hybrid or Battery power. "F" models feature a fully floating cutting head. All models feature InCommand™ control systems with Operator Presence Controls (OPC). Includes two 48 volt brushless DC weather sealed motors, electronic control module with LCD display, grass catcher, band type brakes and kickstand. Hybrid versions feature gen-set with sealed brushless generator. Battery versions feature removable 48 Volt 20-amp battery pack (less battery cells) and 5-amp (dual voltage) charger. All models less front roller and transport wheels. All models ship crated.		

Hybrid Models

063338	ECLIPSE2 122, Hybrid, 22" w/ 11 blade reel, Super Tournament bedknife	\$9,047.24	\$12,226.00
063339	ECLIPSE2 122, Hybrid, 22" w/ 15 blade reel, Super Tournament bedknife	\$9,170.82	\$12,393.00
063340	ECLIPSE2 122F, Hybrid, 22" w/ 11 blade reel, Super Tournament bedknife	\$9,440.18	\$12,757.00
063341	ECLIPSE2 122F, Hybrid, 22" w/ 15 blade reel, Super Tournament bedknife	\$9,565.98	\$12,927.00

Battery Models

063347	ECLIPSE2 122, Battery, 22" w/ 11 blade reel, Super Tournament bedknife	\$8,465.60	\$11,440.00
063348	ECLIPSE2 122, Battery, 22" w/ 15 blade reel, Super Tournament bedknife	\$8,592.14	\$11,611.00
063349	ECLIPSE2 122F, Battery, 22" w/ 11 blade reel, Super Tournament bedknife	\$8,859.28	\$11,972.00
063350	ECLIPSE2 122F, Battery, 22" w/ 15 blade reel, Super Tournament bedknife	\$8,984.34	\$12,141.00

Rollers (1 required unless Turf Groomer is selected)

068527	22" Grooved assembly steel disc roller (2" diameter)	\$224.22	\$303.00
068673	22" Grooved segmented machined aluminum roller (2 - 1/4" diameter)	\$253.08	\$342.00
068530	22" Solid tube steel roller with scraper (light) (2" diameter)	\$189.44	\$256.00
068641	22" Solid tube steel roller with scraper (2" diameter)	\$248.64	\$336.00
068613	22" Grooved machined steel roller (2 - 3/16" diameter)	\$262.70	\$355.00
068614	22" Grooved machined aluminum roller (2 - 3/16" diameter)	\$262.70	\$355.00

Accessories

063305	Power Module, Hybrid (includes gen-set & hardware)	\$1,392.68	\$1,882.00
063306	Power Module, Battery (includes battery box assy, charger, mounting tray and hardware)	\$810.30	\$1,095.00
063320	LED Light Kit	\$281.94	\$381.00
062293	Wheel Kit, Pneumatic Transport Tires	\$293.78	\$397.00
(N) 4368506	Kit, Pneumatic Transport Tires Standard (serial number 5000 and up)	\$293.78	\$397.00
(N) 4368507	Kit, Pneumatic Transport Tires Large (serial number 5000 and up; only compatible for floating head models)	\$296.00	\$400.00
062832	TrueSet Cutting Unit ECLIPSE 22" 11 Blade (less links, motor and front roller) (replaces 062808 and 063308)	\$1,490.36	\$2,014.00
062833	TrueSet Cutting Unit ECLIPSE 22" 15 Blade (less links, motor and front roller) (replaces 062822 and 063333)	\$1,615.42	\$2,183.00
063308	22" 11 blade reel assembly for ECLIPSE2 122F (less links, motor and front roller) (Original 4 Point Adjustment Cutting Units - limited availability, check with customer service)	\$1,427.46	\$1,929.00
063333	22" 15 blade reel assembly for ECLIPSE2 122F (less links, motor and front roller) (Original 4 Point Adjustment Cutting Units - limited availability, check with customer service)	\$1,549.56	\$2,094.00
* 4266530	22" TrueSet bedknife adjustment conversion kit (convert previous 4-point to new TrueSet) - requires service parts 4266550, 4268351 and 4268352 for units not predrilled	\$243.90	\$329.60
067138	Verticut reel .75" spacing for ECLIPSE2 122F only (requires kit 4172441)	\$1,397.12	\$1,888.00
068611	22" Push brush attachment (ECLIPSE2 122/122F)	\$443.26	\$599.00
068536	22" front roller fine bristle brush	\$67.34	\$91.00
068660	Trailer mounting kit for battery box (to mount Battery Pack onto Trailer)	\$114.70	\$155.00
068123	Grass Catcher (ECLIPSE2 122 replacement catcher only)	\$236.06	\$319.00
* 4239563	Grass Catcher (ECLIPSE2 122F, GP400 replacement catcher only) (Replaces pn 4214181)	\$260.63	\$352.21
067995	22" Turf Groomer .25" spacing for ECLIPSE2 122/122F for TrueSet cutting unit (ECLIPSE2 122 req 067965) (replaces 067966)	\$1,867.76	\$2,524.00
067996	22" Turf Groomer .50" spacing for ECLIPSE2 122/122F for TrueSet cutting unit (ECLIPSE2 122 req 067965) (replaces 067968)	\$1,867.76	\$2,524.00



Model No.	Description	NJPA Net Price	
		USD	List Price USD
067966	22" Turf Groomer .25" spacing for ECLIPSE2 122/122F (ECLIPSE2 122 req 067965, for Original 4 point adjustment system only, Limited availability)	\$1,867.76	\$2,524.00
067965	Kit, Adapts Turf Groomer for use on ECLIPSE2 118 and 122	\$130.24	\$176.00
068661	5-Amp Battery Charger	\$365.56	\$494.00
068668	Battery Box Assembly (less four 12V20AH battery cells)	\$329.30	\$445.00
4190120	Battery relocation kit for ECLIPSE 122 (ECLIPSE 100 series only, allows increased front roller weight)	\$178.34	\$241.00
* 4172441	Reel conversion kit (adapts right hand drive hydraulic reel for use on ECLIPSE2 122F)	\$375.27	\$507.12
* 4172485	Reel conversion kit (adapts left hand drive hydraulic reel for use on ECLIPSE2 122F)	\$702.62	\$949.48
* 4173620	Reel to bedknife adjustment wrench for ECLIPSE2 118F & 122F	\$20.41	\$27.58

Bi-Directional Groomer/ Brush One option must be selected from each group except "Other" to make a functional groomer or brush system. Note: The Bi-directional groomer / brush system is compatible with the ECLIPSE2 22" floating head models only. It is not compatible with the ECLIPSE2 18" and 22" fixed head models or the ECLIPSE2 26" models.

Drive System - Select one drive system per cutting unit, electric or hydraulic drive			
062900	Drive Groomer/Brush 5in Reel-LH Electric	\$1,190.66	\$1,609.00
Implement - Select one or more based on customer needs			
062905	Groomer, 22in., 1/4in. spacing	\$289.34	\$391.00
062906	Groomer 22in., - 1/2in spacing	\$224.22	\$303.00
062909	Brush, 22in., Herringbone, Stiff Bristle	\$192.40	\$260.00
062910	Brush, 22in., Herringbone, Medium Bristle	\$192.40	\$260.00
062911	Brush, 22in., Herringbone, Soft Bristle	\$192.40	\$260.00
Roller - Select one or more based on customer needs, grooved roller if selected with a groomer must match spacing on groomer			
062927	Front roller, Grooved, 22in., 1/4in. spacing	\$201.28	\$272.00
062928	Front roller, Grooved, 22in., 1/2in. spacing	\$201.28	\$272.00
062929	Front roller, Solid, 22in.	\$217.56	\$294.00
Other - for customers that purchase multiple implement			
062934	Quick change kit	\$202.02	\$273.00
062935	Guide Wheel Kit	\$43.66	\$59.00

Common Maintenance Parts

Classic XP Reels

* 4172945	11 blade, 5" x 22" Classic XP reel cylinder (ECLIPSE2 122)	\$394.90	\$533.64
* 5001101	11 blade, 5" x 22" Classic XP reel cylinder (ECLIPSE2 122F)	\$270.85	\$366.01
* 4223946	15 blade, 5" x 22" Classic XP reel cylinder (ECLIPSE2 122)	\$449.84	\$607.89
* 4225505	15 blade, 5" x 22" Classic XP reel cylinder (ECLIPSE2 122F)	\$343.07	\$463.61

Legendary Bedknives

* 503477	22" High Profile Legendary Bedknife (ECLIPSE2 122/122F)	\$26.69	\$36.07
* 503478	22" Low Profile Legendary Bedknife (ECLIPSE2 122/122F)	\$28.26	\$38.19
* 503479	22" Tournament Legendary Bedknife (ECLIPSE2 122/122F)	\$32.19	\$43.50
* 5002887	22" Super Tournament Legendary Bedknife (ECLIPSE2 122/122F)	\$30.62	\$41.38
* 4234900	22" Super Tournament XXR Bedknife (ECLIPSE2 122/122F)	\$32.19	\$43.50

MAGKnives

* 4158082	MAGSystem kit for ECLIPSE2 122 (backing, magnets, and Super Tournament MAGKnife)	\$244.94	\$331.00
* 4158083	MAGSystem kit for ECLIPSE2 122F (backing, magnets, and Tournament MAGKnife)	\$241.79	\$326.75
* 4188500	MAGSystem kit for ECLIPSE2 122F (backing, magnets, and Super Tournament MAGKnife)	\$241.79	\$326.75
* 4131369	22" High Profile MAGKnife (ECLIPSE2 122/122F)	\$44.75	\$60.47
* 4131370	22" Tournament MAGKnife (ECLIPSE2 122/122F)	\$45.53	\$61.53
* 4131003	22" Super Tournament MAGKnife (ECLIPSE2 122/122F)	\$51.03	\$68.96



Contract Number 070313-JCS

Company Confidential

* Service item - purchased through the parts department. (N)- new item or updated part number. All prices are Ex Works Charlotte, NC unless otherwise specified

Model No.	Description	NJPA Net Price	
		USD	List Price USD
ECLIPSE2 126	ECLIPSE2 Series fixed and floating head walking greens mowers in Hybrid or Battery power. "F" models feature a fully floating cutting head. All models feature InCommand™ control systems with Operator Presence Controls (OPC). Includes two 48 volt brushless DC weather sealed motors, electronic control module with LCD display, grass catcher, band type brakes and kickstand. Hybrid versions feature gen-set with sealed brushless generator. Battery versions feature removable 48 Volt 20-amp battery pack (less battery cells) and 5-amp (dual voltage) charger. All models less front roller and transport wheels. All models ship crated.		
<i>Hybrid Models</i>			
063342	ECLIPSE2 126, Hybrid, 26" w/ 7 blade reel and High Profile bedknife	\$9,396.52	\$12,698.00
<i>Battery Models</i>			
063351	ECLIPSE2 126, Battery, 26" w/ 7 blade reel and High Profile bedknife	\$8,821.54	\$11,921.00
Rollers (1 required unless Turf Groomer is selected)			
068617	26" Grooved machined aluminum roller (2 - 3/16" diameter)	\$311.54	\$421.00
068628	26" Grooved machined steel roller (2 - 3/16" diameter)	\$386.28	\$522.00
068627	26" Solid tube steel roller, with scraper (2 - 3/16" diameter)	\$367.04	\$496.00
Accessories			
063305	Power Module, Hybrid (includes gen-set & hardware)	\$1,392.68	\$1,882.00
063306	Power Module, Battery (includes battery box assy, charger, mounting tray and hardware)	\$810.30	\$1,095.00
063320	LED Light Kit	\$281.94	\$381.00
062293	Wheel Kit, Pneumatic Transport Tires	\$293.78	\$397.00
(N) 4368506	Kit, Pneumatic Transport Tires Standard (serial number 5000 and up)	\$293.78	\$397.00
(N) 4368507	Kit, Pneumatic Transport Tires Large (serial number 5000 and up; only compatible for floating head models)	\$296.00	\$400.00
068660	Trailer mounting kit for battery box (to mount Battery Pack onto Trailer)	\$114.70	\$155.00
068124	Grass catcher (ECLIPSE2 126 replacement catcher only)	\$236.06	\$319.00
067975	26" Turf Groomer .50" spacing for ECLIPSE2 126 (ECLIPSE2 122 req 067965)	\$1,867.76	\$2,524.00
068661	5-Amp Battery Charger	\$365.56	\$494.00
068668	Battery Box Assembly (less four 12V20AH battery cells)	\$329.30	\$445.00
Common Maintenance Parts			
Classic XP Reels			
* 4170203	7 blade, 5" x 26" Classic XP reel cylinder	\$521.30	\$704.46
* 4294292	11 blade, 5" x 26" Classic XP reel cylinder	\$460.05	\$621.69
Legendary Bedknives			
* 5000141	26" Heavy Section Legendary Bedknife	\$58.88	\$79.57
* 5000414	26" High Profile Legendary Bedknife	\$54.17	\$73.20
* 5000413	26" Low Profile Legendary Bedknife	\$48.67	\$65.78
MAGKnives			
* 4131374	26" High Profile MAGKnife	\$80.08	\$108.21



Model No.	Description	NJPA Net Price	
		USD	List Price USD
PGM	All PGM mowers feature InCommand™ control systems with Operator Presence Controls (OPC), grass catcher, band type brakes, kickstand and Honda engine. All models less front roller and transport wheels. All models ship crated.		

063286	PGM, 22" w/ 15 blade reel, Super Tournament bedknife	\$6,631.88	\$8,962.00
Rollers (1 required unless Turf Groomer is selected)			
068527	22" Grooved assembly steel disc roller (2" diameter)	\$224.22	\$303.00
068673	22" Grooved segmented machined aluminum roller (2 - 1/4" diameter)	\$253.08	\$342.00
068530	22" Solid tube steel roller with scraper (light) (2" diameter)	\$189.44	\$256.00
068641	22" Solid tube steel roller with scraper (2" diameter)	\$248.64	\$336.00
068613	22" Grooved machined steel roller (2 - 3/16" diameter)	\$262.70	\$355.00
068614	22" Grooved machined aluminum roller (2 - 3/16" diameter)	\$262.70	\$355.00
Accessories			
062293	Transport wheel kit, set of 2 (fits all PGM, GK 500 and Eclipse 100 Series walkers)	\$293.78	\$397.00
068121	Grass catcher (PGM 22 replacement catcher only)	\$236.06	\$319.00
068500	22" Push brush attachment	\$443.26	\$599.00
068579	22" Turf Groomer .25" spacing	\$1,947.68	\$2,632.00
* 5002962	Light kit	\$121.95	\$164.80
Common Maintenance Parts			
Classic XP Reels			
* 2500575	9 blade, 5" x 22" Classic XP reel cylinder	\$306.96	\$414.81
* 5002605	11 blade, 5" x 22" Classic XP reel cylinder	\$241.79	\$326.75
* 4284053	15 blade, 5" x 22" Classic XP reel cylinder	\$449.84	\$607.89
Legendary Bedknives			
* 503477	22" High Profile Legendary Bedknife (PGM 22, GK 522)	\$26.69	\$36.07
* 503478	22" Low Profile Legendary Bedknife (PGM 22, GK 522)	\$28.26	\$38.19
* 503479	22" Tournament Legendary Bedknife (PGM 22, GK 522)	\$32.19	\$43.50
* 5002887	22" Super Tournament Legendary Bedknife (PGM 22, GK 522)	\$30.62	\$41.38
MAGKnives			
* 4131369	22" High Profile MAGKnife (PGM 22, GK 522)	\$44.75	\$60.47
* 4131001	22" Low Profile MAGKnife (PGM 22, GK 522)	\$44.75	\$60.47
* 4131370	22" Tournament MAGKnife (PGM 22, GK 522)	\$45.53	\$61.53
* 4131003	22" Super Tournament MAGKnife (PGM 22, GK 522)	\$51.03	\$68.96



Model No.	Description	NJPA Net Price	
		USD	List Price USD
GK 518	Greens King 518 Series mowers feature InCommand™ control systems with Operator Presence Controls (OPC), grass catcher, band type brakes, kickstand and Honda engine. All models less front roller and transport wheels. All models ship crated.		

063287	Greens King 518, 18" w/ 15 blade reel, Super Tournament bedknife	\$6,734.00	\$9,100.00
Rollers (1 required unless Turf Groomer is selected)			
063318	18" Grooved machined aluminum roller (2 - 3/16" diameter)	\$271.58	\$367.00
068616	18" Grooved machined steel roller (2 - 3/16" diameter)	\$271.58	\$367.00
068626	18" Solid tube steel roller, with scraper (2 - 3/16" diameter)	\$313.76	\$424.00
* 4108920	18" Hollow smooth tube steel roller (2" diam.)	\$180.57	\$244.01
Accessories			
062293	Transport wheel kit, set of 2 (fits all PGM, GK 500 and Eclipse 100 Series walkers)	\$293.78	\$397.00
068122	Grass Catcher (ECLIPSE2 118 and GK518 replacement catcher only)	\$236.06	\$319.00
068624	18" Turf Groomer .25" spacing	\$1,947.68	\$2,632.00
* 5002962	Light kit	\$121.95	\$164.80
Common Maintenance Parts			
<u>Classic XP Reels</u>			
* 5000095	11 blade, 5" x 18" Classic XP reel cylinder	\$285.77	\$386.18
* 4284061	15 blade, 5" x 18" Classic XP reel cylinder	\$396.47	\$535.78
<u>Legendary Bedknives</u>			
* 5000098	18" Low Profile Legendary Bedknife	\$35.33	\$47.74
* 5002888	18" Super Tournament Legendary Bedknife	\$33.76	\$45.62
<u>MAGKnives</u>			
* 4131371	18" Low Profile MAGKnife	\$61.24	\$82.75
* 4131004	18" Super Tournament MAGKnife	\$58.09	\$78.51



Contract Number 070313-JCS

Model No.	Description	NJPA Net Price	
		USD	List Price USD
GK 522	Greens King 522 mowers feature InCommand™ control systems with Operator Presence Controls (OPC), grass catcher, band type brakes, kickstand and Honda engine. All models less front roller and transport wheels. All models ship crated.		

063288	Greens King 522, 22" w/ 15 blade reel, Super Tournament bedknife	\$6,764.34	\$9,141.00
--------	--	------------	------------

Rollers (1 required unless Turf Groomer is selected)

068527	22" Grooved assembly steel disc roller (2" diameter)	\$224.22	\$303.00
068673	22" Grooved segmented machined aluminum roller (2 - 1/4" diameter)	\$253.08	\$342.00
068530	22" Solid tube steel roller with scraper (light) (2" diameter)	\$189.44	\$256.00
068641	22" Solid tube steel roller with scraper (2" diameter)	\$248.64	\$336.00
068613	22" Grooved machined steel roller (2 - 3/16" diameter)	\$262.70	\$355.00
068614	22" Grooved machined aluminum roller (2 - 3/16" diameter)	\$262.70	\$355.00

Accessories

062293	Transport wheel kit, set of 2 (fits all PGM, GK 500 and Eclipse 100 Series walkers)	\$293.78	\$397.00
068123	Grass catcher (GK 522 replacement catcher only)	\$236.06	\$319.00
068611	22" Push brush attachment	\$443.26	\$599.00
068536	22" Front roller fine bristle brush	\$67.34	\$91.00
067935	22" Turf Groomer .5" spacing	\$1,947.68	\$2,632.00
068605	22" Turf Groomer .25" spacing	\$1,947.68	\$2,632.00
* 5002962	Light kit	\$121.95	\$164.80

Common Maintenance Parts

Classic XP Reels

* 5000148	11 blade, 5" x 22" Classic XP reel cylinder (GK 522)	\$263.78	\$356.46
* 4284069	15 blade, 5" x 22" Classic XP reel cylinder (GK 522)	\$343.07	\$463.61

Legendary Bedknives

* 503477	22" High Profile Legendary Bedknife (PGM 22, GK 522)	\$26.69	\$36.07
* 503478	22" Low Profile Legendary Bedknife (PGM 22, GK 522)	\$28.26	\$38.19
* 503479	22" Tournament Legendary Bedknife (PGM 22, GK 522)	\$32.19	\$43.50
* 5002887	22" Super Tournament Legendary Bedknife (PGM 22, GK 522)	\$30.62	\$41.38

MAGKnives

* 4158082	MAGSystem kit for GK 522 (backing, magnets, and Super Tournament MAGKnife)	\$244.94	\$331.00
* 4131369	22" High Profile MAGKnife (PGM 22, GK 522)	\$44.75	\$60.47
* 4131001	22" Low Profile MAGKnife (PGM 22, GK 522)	\$44.75	\$60.47
* 4131370	22" Tournament MAGKnife (PGM 22, GK 522)	\$45.53	\$61.53
* 4131003	22" Super Tournament MAGKnife (PGM 22, GK 522)	\$51.03	\$68.96



Model No.	Description	NJPA Net Price	
		USD	List Price USD
GK 526	All PGM and Greens King 500 Series mowers feature InCommand™ control systems with Operator Presence Controls (OPC), grass catcher, band type brakes, kickstand and Honda engine. All models less front roller and transport wheels. All models ship crated.		

063285	Greens King 526, 26" w/ 7 blade reel, High Profile bedknife	\$7,567.98	\$10,227.00
--------	---	------------	-------------

Rollers (1 required unless Turf Groomer is selected)

068617	26" Grooved machined aluminum roller (2 - 3/16" diameter)	\$311.54	\$421.00
068628	26" Grooved machined steel roller (2 - 3/16" diameter)	\$386.28	\$522.00
068627	26" Solid tube steel roller, with scraper (2 - 3/16" diameter)	\$367.04	\$496.00

Accessories

062293	Transport wheel kit, set of 2 (fits all PGM, GK 500 and Eclipse 100 Series walkers)	\$293.78	\$397.00
068124	Grass catcher (GK 526 replacement catcher only)	\$236.06	\$319.00
* 5002962	Light kit	\$121.95	\$164.80

Common Maintenance Parts

Classic XP Reels

* 5000416	11 blade, 5" x 26" Classic XP reel cylinder	\$304.60	\$411.62
* 5003652	7 blade, 5" x 26" Classic XP reel cylinder	\$358.77	\$484.82

Legendary Bedknives

* 5000414	26" High Profile Legendary Bedknife	\$54.17	\$73.20
* 5000413	26" Low Profile Legendary Bedknife	\$48.67	\$65.78

MAGKnives

* 4131374	26" High Profile MAGKnife (GK 526)	\$80.08	\$108.21
-----------	------------------------------------	---------	----------

Mower Caddy Trailer	Walking Greens Mower Trailer: Each Mower Caddy requires a mounting kit for each mower.		
----------------------------	---	--	--

063322	Mower Caddy Trailer [replaces 063321]	\$1,180.30	\$1,595.00
--------	---------------------------------------	------------	------------

Mounting Kits

063354	ECLIPSE2 Mower Caddy Mounting Kit (Fits all ECLIPSE2 models for 063321 or 063322 Trailer)	\$132.46	\$179.00
4243882	18" Mounting Kit for Greens King 518, Eclipse 118 and 118F (Fits 063321 or 063322 Trailer; does not fit ECLIPSE2)	\$132.46	\$179.00
4243883	22" Mounting Kit for Greens King 522, Eclipse 122 and 122F (Fits 063321 or 063322 Trailer; does not fit ECLIPSE2)	\$132.46	\$179.00
4243884	26" Mounting Kit for Greens King 526, Eclipse 126 (Fits 063321 or 063322 Trailer; does not fit ECLIPSE2)	\$132.46	\$179.00
4243885	22" Mounting kit for PGM 22 (Fits 063321 or 063322 Trailer)	\$132.46	\$179.00
068660	Mower Caddy battery mounting kit (for E-Walk or ECLIPSE battery pack)	\$114.70	\$155.00
063323	Dew Whip Holder (Fits 06321 or 063322 Trailer)	\$79.92	\$108.00
063324	Grass Catcher Basket Holder (Fits 06321 or 063322 Trailer)	\$34.78	\$47.00

Note: Mounting Kits for 068648 trailer are limited availability - discontinued when out of stock

068649	Mower Caddy mounting kit for GK 518, Eclipse 118 (Fits 068648 Trailer)	\$283.42	\$383.00
063317	Mower Caddy mounting kit for Eclipse 118F (Fits 068648 Trailer)	\$283.42	\$383.00
068650	Mower Caddy mounting kit for GK 522, Eclipse 122 (Fits 068648 Trailer)	\$283.42	\$383.00
063310	Mower Caddy mounting kit for Eclipse 122F (Fits 068648 Trailer)	\$283.42	\$383.00
068652	Mower Caddy mounting kit for PGM (Fits 068648 Trailer)	\$283.42	\$383.00
068672	Mower Caddy mounting kit for TC-22 (Fits 068648 Trailer)	\$283.42	\$383.00
068651	Mower Caddy mounting kit for GK 526, Eclipse 126 (Fits 068648 Trailer)	\$283.42	\$383.00
068653	Mower Caddy mounting kit for Toro 1000 (Fits 068648 Trailer)	\$283.42	\$383.00



Contract Number 070313-JCS

Model No.	Description	NJPA Net Price	
		USD	List Price USD
Small Area Reel Mowers			

ECLIPSE 322 Eclipse 322 riding greens mowers in Hybrid or Battery power. All models feature standard ROPS with seat belt, grass catchers, reel motors, LED headlight, and one piece seat; less cutting units. Battery model features on board charger and battery watering system. Battery model shipped crated, less batteries. Each battery powered Eclipse requires six Trojan T-890 batteries. For maximum performance, it is critical that only the T-890 batteries are installed. Visit www.trojanbattery.com to locate the closest distributor.

062801	ECLIPSE 322 Battery	\$28,518.12	\$38,538.00
062803	ECLIPSE 322 Gasoline Hybrid	\$30,686.32	\$41,468.00
062851	ECLIPSE 322 Diesel Hybrid (replaces 062805)	\$32,546.68	\$43,982.00
062852	ECLIPSE 322 Diesel Hybrid with Premium Seat, Crated (replaces 062825)	\$33,783.22	\$45,653.00
062802	ECLIPSE 322 3WD Gasoline Hybrid	\$34,126.58	\$46,117.00
062853	ECLIPSE 322 3WD Diesel Hybrid (replaces 062804)	\$35,987.68	\$48,632.00
062854	ECLIPSE 322 3WD Diesel Hybrid, Premium Seat, Crated (replaces 062826)	\$37,222.74	\$50,301.00

Cutting Units; less front roller (3 required)

062833	TrueSet Cutting Unit ECLIPSE 22" 15 Blade (replaces 062822 and 063333)	\$1,615.42	\$2,183.00
062832	TrueSet Cutting Unit ECLIPSE 22" 11 Blade (replaces 062808 and 063308)	\$1,490.36	\$2,014.00
062831	TrueSet Cutting Unit ECLIPSE 22" 9 Blade (replaces 062807)	\$1,577.68	\$2,132.00
062830	TrueSet Cutting Unit ECLIPSE 22" 7 Blade (replaces 062806)	\$1,577.68	\$2,132.00
067138	22" Verticut reel, .75" spacing (includes front roller, less lift yokes 4197000 (center), 4225300 (front)); Requires kit 4218680 for each reel	\$1,397.12	\$1,888.00
062822	22" 15 blade reel (Original 4 Point Adjustment Cutting Units - limited availability, check with customer service)	\$1,568.80	\$2,120.00
062808	22" 11 blade reel (Original 4 Point Adjustment Cutting Units - limited availability, check with customer service)	\$1,446.70	\$1,955.00
062807	22" 9 blade reel (Original 4 Point Adjustment Cutting Units - limited availability, check with customer service)	\$1,533.28	\$2,072.00
062806	22" 7 blade reel (Original 4 Point Adjustment Cutting Units - limited availability, check with customer service)	\$1,533.28	\$2,072.00
* 4266530	22" TrueSet bedknife adjustment conversion kit (convert previous 4-point to new TrueSet) - requires service parts 4266550, 4268351 and 4268352 for units not predrilled	\$243.90	\$329.60

Rollers (1 front roller per cutting unit required unless Turf Groomer is selected)

068527	22" Grooved assembly steel disc roller (2" diameter)	\$224.22	\$303.00
068673	22" Grooved segmented machined aluminum roller (2 - 1/4" diameter)	\$253.08	\$342.00
068530	22" Solid tube steel roller with scraper (light) (2" diameter)	\$189.44	\$256.00
068641	22" Solid tube steel roller with scraper (2" diameter)	\$248.64	\$336.00
068613	22" Grooved machined steel roller (2 - 3/16" diameter)	\$262.70	\$355.00
068614	22" Grooved machined aluminum roller (2 - 3/16" diameter)	\$262.70	\$355.00



Contract Number 070313-JCS

Model No.	Description	NJPA Net Price	
		USD	List Price USD
Accessories			
062827	ECLIPSE 322 3WD Kit – Diesel and Battery (for use on 2WD units with serial numbers before and including 6280102499, 6280502499, 6282502499)	\$3,793.98	\$5,127.00
063353	ECLIPSE 322 3WD Kit – Gas (for use on 2WD units with serial numbers before and including 6280302499)	\$3,793.98	\$5,127.00
063352	ECLIPSE 322 3WD Kit – Diesel Hybrid, Gas Hybrid, Battery (for use on 2WD units with all serial numbers higher than and including 6280102500, 6280302500, 6280502500, and 6282502500)	\$3,793.98	\$5,127.00
062850	Accessory, Tow Bar (to safely tow a disabled Eclipse 322 - fits 2WD and 3WD models)	\$364.82	\$493.00
067995	22" Turf Groomer .25" spacing for ECLIPSE2 122/122F for TrueSet cutting unit (ECLIPSE2 122 req 067965) (replaces 067966)	\$1,867.76	\$2,524.00
067996	22" Turf Groomer .50" spacing for ECLIPSE2 122/122F for TrueSet cutting unit (ECLIPSE2 122 req 067965) (replaces 067968)	\$1,867.76	\$2,524.00
068664	Quick Roll greens roller, set of 3 (requires one kit 4211921 for 322)	\$3,334.44	\$4,506.00
068665	Spiker attachment w/ frame assy, 2" spacing, 30 blades, set of 3 (requires 1 kit 4211921)	\$3,104.30	\$4,195.00
* 4211921	Mounting kit for Quick Roll or Spiker	\$571.28	\$772.00
068536	22" front roller fine bristle brush	\$67.34	\$91.00
062818	Powered rear roller brush (requires 4261251 if used without Turf Groomer)	\$482.48	\$652.00
* 4261251	Counterweight Kit (replaces 4225601)	\$116.19	\$157.01
068634	High cut kit (15/16" when used with 2 - 3/16" roller)	\$79.92	\$108.00
* 4218680	Reel conversion kit (Converts one G-Plex or E-Plex reel to use on the Eclipse 322)	\$211.98	\$286.45
062813	Premium Seat - Grammer seat, gray vinyl, suspension base, adjustable backrest	\$792.54	\$1,071.00
4214980	LED Light Kit, ROPS mounted	\$395.16	\$534.00
062809	Dew whip holder	\$81.40	\$110.00
4239562	ECLIPSE 322 Grass Catcher	\$241.24	\$326.00
068127	Canopy / Sunshade Kit - Adjustable	\$796.98	\$1,077.00
062811	Tow Bar (to safely tow a disabled Eclipse 322, 2WD model only) - Limited availability, discontinued when out of stock	\$251.60	\$340.00
062817	Traction Tire Assembly 18 x 9.5 x 8 (wheel and tire, set of 2)	\$254.56	\$344.00
062816	Crating option (Eclipse 322 Hybrid models only)	\$498.76	\$674.00
4235382	International Charger Kit for Eclipse 322 Battery Units (220V and IEC Standard)	\$204.98	\$277.00
062814	E322 grass deflector	\$586.82	\$793.00

Bi-Directional Groomer/ Brush Use the diagram below to select the correct Bi-Directional Groomer/ Brush part numbers. One option must be selected from each group except "Other" to make a functional groomer or brush system. Note: The Bi-directional groomer / brush system is compatible with the ECLIPSE2 18" and 22" floating head models only. It is not compatible with the ECLIPSE2 18" and 22" fixed head models or the ECLIPSE2 26" models.

Drive System - Select one drive system per cutting unit, electric or hydraulic drive

062900	Drive Groomer/Brush 5in Reel-LH Electric	I	\$1,190.66	\$1,609.00
062901	Drive Groomer/Brush 5in Reel-LH Hyd	J	\$1,190.66	\$1,609.00

Implement - Select one or more based on customer needs

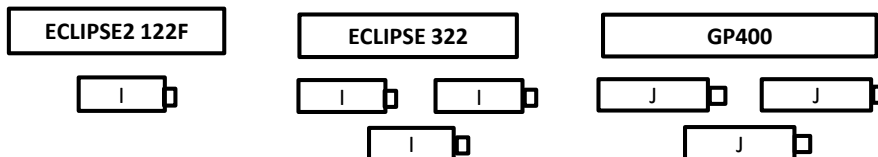
062905	Groomer, 22in., 1/4in. spacing		\$289.34	\$391.00
062906	Groomer 22in., - 1/2in spacing		\$224.22	\$303.00
062909	Brush, 22in., Herringbone, Stiff Bristle		\$192.40	\$260.00
062910	Brush, 22in., Herringbone, Medium Bristle		\$192.40	\$260.00
062911	Brush, 22in., Herringbone, Soft Bristle		\$192.40	\$260.00

Roller - Select one or more based on customer needs, grooved roller if selected with a groomer must match spacing on groomer

062927	Front roller, Grooved, 22in., 1/4in. spacing		\$201.28	\$272.00
062928	Front roller, Grooved, 22in., 1/2in. spacing		\$201.28	\$272.00
062929	Front roller, Solid, 22in.		\$217.56	\$294.00

Other - for customers that purchase multiple implement

062934	Quick change kit		\$202.02	\$273.00
062935	Guide Wheel Kit		\$43.66	\$59.00



Contract Number 070313-JCS

Company Confidential

* Service item - purchased through the parts department. (N)- new item or updated part number. All prices are Ex Works Charlotte, NC unless otherwise specified

Model No.	Description	NJPA Net Price	
		USD	List Price USD
Common Maintenance Parts			
<u>Classic XP Reels</u>			
* 4225505	15 blade, 5" x 22" Classic XP reel cylinder	\$343.07	\$463.61
* 5001101	11 blade, 5" x 22" Classic XP reel cylinder	\$270.85	\$366.01
* 5001099	9 blade, 5" x 22" Classic XP reel cylinder	\$246.52	\$333.13
* 5003053	7 blade, 5" x 22" Classic XP reel cylinder	\$259.85	\$351.15
<u>Legendary Bedknives</u>			
* 5003150	22" Medium Section Legendary Bedknife	\$35.33	\$47.74
* 503477	22" High Profile Legendary Bedknife	\$26.69	\$36.07
* 503478	22" Low Profile Legendary Bedknife	\$28.26	\$38.19
* 503479	22" Tournament Legendary Bedknife	\$32.19	\$43.50
* 5002887	22" Super Tournament Legendary Bedknife	\$30.62	\$41.38
* 4234900	22" Super Tournament XXR Bedknife	\$32.19	\$43.50
<u>MAGKnives</u>			
* 4158083	MAGSystem kit (backing, magnets, and Tournament MAGKnife)	\$241.79	\$326.75
* 4188500	MAGSystem kit (backing, magnets, and Super Tournament MAGKnife)	\$241.79	\$326.75
* 4131005	22" Medium Section MAGKnife	\$51.81	\$70.02
* 4131369	22" High Profile MAGKnife	\$44.75	\$60.47
* 4131001	22" Low Profile MAGKnife	\$44.75	\$60.47
* 4131370	22" Tournament MAGKnife	\$45.53	\$61.53
* 4131003	22" Super Tournament MAGKnife	\$51.03	\$68.96



Contract Number 070313-JCS

Company Confidential

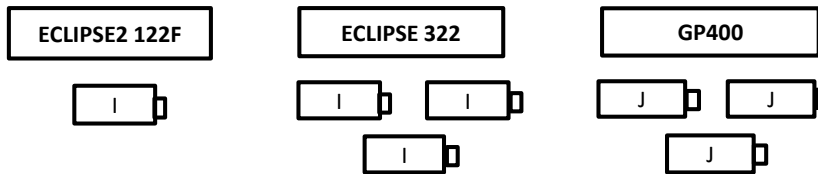
* Service item - purchased through the parts department. (N)- new item or updated part number. All prices are Ex Works Charlotte, NC unless otherwise specified

Model No.	Description	NJPA Net Price	
		USD	List Price USD
GP400	GP400 models feature standard ISO21299 ROPS with seat belt, joystick control, automotive handbrake, GreensCare biodegradable hydraulic fluid, one piece seat and headlights; less cutting units and grass catchers. Backlap is standard on GP400 Gas and Diesel. All models ship crated.		
062706	GP400, Vanguard Gas Engine	\$22,609.22	\$30,553.00
062708	GP400, Kubota Diesel Engine (replaces 062707)	\$26,400.24	\$35,676.00
Cutting Units; less front roller (3 required)			
062849	TrueSet Cutting Unit GP400 22" 15 Blade	\$1,615.42	\$2,183.00
062836	TrueSet Cutting Unit GP400 22" 11 Blade (replaces 067135)	\$1,468.16	\$1,984.00
062835	TrueSet Cutting Unit GP400 22" 9 Blade (replaces 067136)	\$1,508.86	\$2,039.00
062834	TrueSet Cutting Unit GP400 22" 7 Blade (replaces 067137)	\$1,542.16	\$2,084.00
067138	22" Verticut reel, .75" spacing (includes front roller; less lift yoke) Requires motor adapter 845278 for each reel	\$1,397.12	\$1,888.00
067136	22" 9 blade reel (Original 4 Point Adjustment Cutting Units - limited availability, check with customer service)	\$1,465.20	\$1,980.00
067137	22" 7 blade reel (Original 4 Point Adjustment Cutting Units - limited availability, check with customer service)	\$1,497.02	\$2,023.00
* 4266530	22" TrueSet bedknife adjustment conversion kit (convert previous 4-point to new TrueSet) - requires service parts 4266550, 4268351 and 4268352 for units not predrilled	\$243.90	\$329.60
Rollers (1 front roller per cutting unit required unless Turf Groomer is selected)			
068527	22" Grooved assembly steel disc roller (2" diameter)	\$224.22	\$303.00
068673	22" Grooved segmented machined aluminum roller (2 - 1/4" diameter)	\$253.08	\$342.00
068530	22" Solid tube steel roller with scraper (light) (2" diameter)	\$189.44	\$256.00
068641	22" Solid tube steel roller with scraper (2" diameter)	\$248.64	\$336.00
068613	22" Grooved machined steel roller (2 - 3/16" diameter)	\$262.70	\$355.00
068614	22" Grooved machined aluminum roller (2 - 3/16" diameter)	\$262.70	\$355.00
Accessories			
4223940	GP400 Grass catcher kit (New Eclipse Style) (3 Required)	\$259.00	\$350.00
067912	22" Turf Groomer, .25" spacing for 5" x 22" cutting unit	\$1,998.74	\$2,701.00
067914	22" Turf Groomer, .50" spacing for 5" x 22" cutting unit	\$1,998.74	\$2,701.00
068664	Quick Roll greens roller, set of 3 (Requires one kit 2702018 for GP Series)	\$3,334.44	\$4,506.00
068665	Spiker attachment w/ frame assembly, 2" spacing, 30 blades, 3 weights, set of 3 (Requires one kit 2702018)	\$3,104.30	\$4,195.00
2702018	Roller/spiker adapter Kit	\$532.80	\$720.00
068536	22" front roller fine bristle brush	\$67.34	\$91.00
062820	Powered rear roller brush for 5"x22" cutting unit (replaces 068643)	\$471.38	\$637.00
068634	High cut kit (15/16" when used with 2 - 3/16" roller)	\$79.92	\$108.00
LMAC415	Dew Whip Holder	\$81.40	\$110.00
LMAC418-F	GP400 3WD Kit	\$2,609.24	\$3,526.00
LMAC142	Operator Protective Structure (G-Plex III only-certified to BS 6912-25)	\$922.04	\$1,246.00
LMAC329	Joystick conversion kit (G-Plex III only)	\$261.96	\$354.00



Model No.	Description	NJPA Net Price	
		USD	List Price USD
Bi-Directional Groomer/ Brush	Use the diagram below to select the correct Bi-Directional Groomer/ Brush part numbers. One option must be selected from each group except "Other" to make a functional groomer or brush system. Note: The Bi-directional groomer / brush system is compatible with the ECLIPSE2 18" and 22" floating head models only. It is not compatible with the ECLIPSE2 18" and 22" fixed head models or the ECLIPSE2 26" models.		

Drive System - Select one drive system per cutting unit, electric or hydraulic drive				
062900	Drive Groomer/Brush 5in Reel-LH Electric	I	\$1,190.66	\$1,609.00
062901	Drive Groomer/Brush 5in Reel-LH Hyd	J	\$1,190.66	\$1,609.00
Implement - Select one or more based on customer needs				
062905	Groomer, 22in., 1/4in. spacing		\$289.34	\$391.00
062906	Groomer 22in., - 1/2in spacing		\$224.22	\$303.00
062909	Brush, 22in., Herringbone, Stiff Bristle		\$192.40	\$260.00
062910	Brush, 22in., Herringbone, Medium Bristle		\$192.40	\$260.00
062911	Brush, 22in., Herringbone, Soft Bristle		\$192.40	\$260.00
Roller - Select one or more based on customer needs, grooved roller if selected with a groomer must match spacing on groomer				
062927	Front roller, Grooved, 22in., 1/4in. spacing		\$201.28	\$272.00
062928	Front roller, Grooved, 22in., 1/2in. spacing		\$201.28	\$272.00
062929	Front roller, Solid, 22in.		\$217.56	\$294.00
Other - for customers that purchase multiple implement				
062934	Quick change kit		\$202.02	\$273.00
062935	Guide Wheel Kit		\$43.66	\$59.00



Common Maintenance Parts

Classic XP Reels

* 4225505	15 blade, 5" x 22" Classic XP reel cylinder		\$343.07	\$463.61
* 5001101	11 blade, 5" x 22" Classic XP reel cylinder		\$270.85	\$366.01
* 5001099	9 blade, 5" x 22" Classic XP reel cylinder		\$246.52	\$333.13
* 5003053	7 blade, 5" x 22" Classic XP reel cylinder		\$259.85	\$351.15

Legendary Bedknives

* 5003150	22" Medium Section Legendary Bedknife		\$35.33	\$47.74
* 503477	22" High Profile Legendary Bedknife		\$26.69	\$36.07
* 503478	22" Low Profile Legendary Bedknife		\$28.26	\$38.19
* 503479	22" Tournament Legendary Bedknife		\$32.19	\$43.50
* 5002887	22" Super Tournament Legendary Bedknife		\$30.62	\$41.38
* 4234900	22" Super Tournament XXR Bedknife		\$32.19	\$43.50

MAGKnives

* 4158083	MAGSystem kit (backing, magnets, and Tournament MAGKnife)		\$241.79	\$326.75
* 4188500	MAGSystem kit (backing, magnets, and Super Tournament MAGKnife)		\$241.79	\$326.75
* 4131005	22" Medium Section MAGKnife		\$51.81	\$70.02
* 4131369	22" High Profile MAGKnife		\$44.75	\$60.47
* 4131001	22" Low Profile MAGKnife		\$44.75	\$60.47
* 4131370	22" Tournament MAGKnife		\$45.53	\$61.53
* 4131003	22" Super Tournament MAGKnife		\$51.03	\$68.96

Hydraulic Fluid

* 5003104	GreensCare 46 - 5 gallon pail		\$142.88	\$193.08
* 5003105	GreensCare 46 - 55 gallon drum		\$1,454.74	\$1,965.87
* 4219840	GreensCare Plus 46 - 5 gallon pail		\$219.83	\$297.06



Model No.	Description	NJPA Net Price	
		USD	List Price USD

Greens King IV Greens King IV models feature standard ROPS with seat belt, GreensCare Biodegradable hydraulic fluid, backlap, one piece seat, grass catchers; less cutting units. All models ship crated.

062305	Greens King IV, 16 hp Vanguard Gas engine, manual steering	\$17,324.88	\$23,412.00
062306	Greens King IV Plus, 18 hp Vanguard Gas engine, power steering	\$19,882.32	\$26,868.00
062379	Greens King IV Plus 18 hp Kubota Diesel engine, power steering (replaces 062304)	\$23,640.04	\$31,946.00

Cutting Units; less front roller (2 RH and 1 LH required)

062848	TrueSet Cutting Unit GK IV 22" 15 Blade RH	\$1,673.88	\$2,262.00
062847	TrueSet Cutting Unit GK IV 22" 15 Blade LH	\$1,673.88	\$2,262.00
062846	TrueSet Cutting Unit GK IV 22" 11 Blade RH (replaces 068622)	\$1,599.14	\$2,161.00
062845	TrueSet Cutting Unit GK IV 22" 11 Blade LH (replaces 068621)	\$1,599.14	\$2,161.00
062844	TrueSet Cutting Unit GK IV 22" 9 Blade RH (replaces 068600)	\$1,392.68	\$1,882.00
062843	TrueSet Cutting Unit GK IV 22" 9 Blade LH (replaces 068599)	\$1,392.68	\$1,882.00
062842	TrueSet Cutting Unit GK IV 22" 7 Blade RH (replaces 068588)	\$1,440.04	\$1,946.00
062841	TrueSet Cutting Unit GK IV 22" 7 Blade LH (replaces 068589)	\$1,440.04	\$1,946.00
068550	22" Verticut reel, .75" spacing RH (includes front roller; less lift yokes)	\$1,397.12	\$1,888.00
068549	22" Verticut reel, .75" spacing LH (includes front roller; less lift yokes)	\$1,397.12	\$1,888.00
* 4266530	22" TrueSet bedknife adjustment conversion kit (convert previous 4-point to new TrueSet) - requires service parts 4266550, 4268351 and 4268352 for units not predrilled	\$243.90	\$329.60

Rollers (1 front roller per cutting unit required unless Turf Groomer is selected)

068527	22" Grooved assembly steel disc roller (2" diameter)	\$224.22	\$303.00
068673	22" Grooved segmented machined aluminum roller (2 - 1/4" diameter)	\$253.08	\$342.00
068530	22" Solid tube steel roller with scraper (light) (2" diameter)	\$189.44	\$256.00
068641	22" Solid tube steel roller with scraper (2" diameter)	\$248.64	\$336.00
068613	22" Grooved machined steel roller (2 - 3/16" diameter)	\$262.70	\$355.00
068614	22" Grooved machined aluminum roller (2 - 3/16" diameter)	\$262.70	\$355.00

Accessories

067911	22" Turf Groomer, .25" spacing for 5" x 22" cutting unit (RH - 2 required)	\$1,998.74	\$2,701.00
067912	22" Turf Groomer, .25" spacing for 5" x 22" cutting unit (LH - 1 required)	\$1,998.74	\$2,701.00
067913	22" Turf Groomer, .50" spacing for 5" x 22" cutting unit (RH - 2 required)	\$1,998.74	\$2,701.00
067914	22" Turf Groomer, .50" spacing for 5" x 22" cutting unit (LH - 1 required)	\$1,998.74	\$2,701.00
068664	Quick Roll greens roller, set of 3 (requires 2811909 & 2812316)	\$3,334.44	\$4,506.00
068665	Spiker w/ frame assy, 2" spacing, 30 blades, set of 3 (requires 2811909 & 2812316)	\$3,104.30	\$4,195.00
* 2812316	Mounting Kit for Quick Roller and Spiker	\$183.69	\$248.23
068536	22" front roller fine bristle brush	\$67.34	\$91.00
062820	Powered rear roller brush for 5"x22" cutting unit (replaces 068643)	\$471.38	\$637.00
068634	High cut kit (15/16" when used with 2 - 3/16" roller)	\$79.92	\$108.00
067891	Grass catcher	\$228.66	\$309.00
068127	Canopy / Sunshade Kit - Adjustable	\$796.98	\$1,077.00
* 4139438	Seat Assembly Kit	\$197.84	\$267.35
* 4139431	Arm Rest Kit	\$76.22	\$103.00
* 2811909	Hydraulic Motor Storage Kit	\$226.09	\$305.53
* 2811910	Light Kit (requires 2811909)	\$122.47	\$165.50



Model No.	Description	NJPA Net Price	
		USD	List Price USD
Common Maintenance Parts			
<u>Classic XP Reels</u>			
* 5001099	9 blade, 5" x 22" Classic XP reel cylinder (left)	\$246.52	\$333.13
* 5001100	9 blade, 5" x 22" Classic XP reel cylinder (right)	\$246.52	\$333.13
* 5001101	11 blade, 5" x 22" Classic XP reel cylinder (left)	\$270.85	\$366.01
* 5001102	11 blade, 5" x 22" Classic XP reel cylinder (right)	\$270.85	\$366.01
* 4225505	15 blade, 5" x 22" Classic XP reel cylinder (left)	\$343.07	\$463.61
* 4269791	15 blade, 5" x 22" Classic XP reel cylinder (right)	\$343.07	\$463.61
<u>Legendary Bedknives</u>			
* 503477	22" High Profile Legendary Bedknife	\$26.69	\$36.07
* 503478	22" Low Profile Legendary Bedknife	\$28.26	\$38.19
* 503479	22" Tournament Legendary Bedknife	\$32.19	\$43.50
* 5002887	22" Super Tournament Legendary Bedknife	\$30.62	\$41.38
* 4234900	22" Super Tournament XXR Bedknife	\$32.19	\$43.50
<u>MAGKnives</u>			
* 4158083	MAGSystem kit (backing, magnets, and Tournament MAGKnife)	\$241.79	\$326.75
* 4188500	MAGSystem kit (backing, magnets, and Super Tournament MAGKnife)	\$241.79	\$326.75
* 4131005	22" Medium Section MAGKnife	\$51.81	\$70.02
* 4131369	22" High Profile MAGKnife	\$44.75	\$60.47
* 4131001	22" Low Profile MAGKnife	\$44.75	\$60.47
* 4131370	22" Tournament MAGKnife	\$45.53	\$61.53
* 4131003	22" Super Tournament MAGKnife	\$51.03	\$68.96
<u>Hydraulic Fluid</u>			
* 5003104	GreensCare 46 - 5 gallon pail	\$142.88	\$193.08
* 5003105	GreensCare 46 - 55 gallon drum	\$1,454.74	\$1,965.87
* 4219840	GreensCare Plus 46 - 5 gallon pail	\$219.83	\$297.06
<u>Maintenance Kits</u>			
* 4199040	500 Hour Interval Maintenance Kit for GKIV Diesel - includes: (1) engine air filter, (1) engine oil filter, (1) hydraulic oil filter, 5 gal GreensCare 46 biodegradable hydraulic oil.	\$171.14	\$231.27
* 4199041	500 Hour Interval Maintenance Kit for GKIV Gas - includes: (1) engine air filter, (1) engine oil filter, (1) hydraulic oil filter, 5 gal GreensCare 46 biodegradable hydraulic oil.	\$164.08	\$221.73



Model No.	Description	NJPA Net Price	
		USD	List Price USD
Tri-King			
The Tri-King features standard ROPS with seat belt, 3WD backlap, and one piece seat; less cutting units. Ships crated. Factory filled with GreensCare 68 Bio hydraulic fluid.			
067146	Tri-King (replaces 067069)	\$20,495.04	\$27,696.00
<i>72" width of cut</i>			
Cutting Units; less front roller 72" width of cut (26" reels)			
067114	26" 7 blade reel, LH front	\$1,851.48	\$2,502.00
067115	26" 7 blade reel, RH front	\$1,851.48	\$2,502.00
067116	26" 7 blade reel, Center	\$1,851.48	\$2,502.00
067139	26" Verticut reel, LH front (includes front roller)	\$1,822.62	\$2,463.00
067140	26" Verticut reel, RH front (includes front roller)	\$1,822.62	\$2,463.00
067141	26" Verticut reel, Center (includes front roller)	\$1,822.62	\$2,463.00
Rollers (1 front roller per cutting unit required) and Accessories for 72" width of cut (26" reels)			
067731	26" Grooved steel front rollers, set of 3	\$899.10	\$1,215.00
069147	26" Grooved front roller scrapers, set of 3	\$185.74	\$251.00
067909	26" Rear roller scraper	\$55.50	\$75.00
069151	26" Grass catchers, w/ hardware, set of 3	\$897.62	\$1,213.00
* 132639	(1) 26" Solid tube steel rear roller (2 1/2") (Mounting hardware not included)	\$124.83	\$168.68
<i>84" width of cut</i>			
Cutting Units; less front roller for 84" width of cut (30" reels)			
067123	30" 7 blade reel, LH front	\$2,319.16	\$3,134.00
067124	30" 7 blade reel, RH front	\$2,319.16	\$3,134.00
067125	30" 7 blade reel, Center	\$2,319.16	\$3,134.00
Rollers (1 front roller per cutting unit required) and Accessories for 84" width of cut (30" reels)			
067729	30" Grooved steel front rollers, set of 3	\$913.90	\$1,235.00
069148	30" Grooved front roller scrapers, set of 3	\$204.98	\$277.00
067910	30" Rear roller scraper	\$55.50	\$75.00
069150	30" Grass catchers, w/ hardware, set of 3	\$993.82	\$1,343.00
* 132640	(1) 30" Solid tube steel rear roller (2 1/2") (Mounting hardware not included)	\$124.04	\$167.62
Accessories			
068127	Canopy / Sunshade Kit - Adjustable	\$796.98	\$1,077.00
069149	Work lights	\$211.64	\$286.00
* 4139431	Arm Rest Kit	\$76.22	\$103.00
Common Maintenance Parts			
Classic XP Reels			
* 5002087	7 blade, 26" Classic XP reel cylinder (left, center)	\$255.14	\$344.78
* 5002088	7 blade, 26" Classic XP reel cylinder (right)	\$269.29	\$363.90
* 2500714	10 blade, 26" Classic XP reel cylinder (left, center)	\$360.35	\$486.96
* 2500715	10 blade, 26" Classic XP reel cylinder (right)	\$407.46	\$550.63
* 503359	5 blade, 30" Classic XP reel cylinder (left, center)	\$217.46	\$293.86
* 5002089	7 blade, 30" Classic XP reel cylinder (left, center)	\$235.53	\$318.28
* 5002090	7 blade, 30" Classic XP reel cylinder (right)	\$236.30	\$319.32
Legendary Bedknives			
* 554284	26" Heavy Section Legendary Bedknife	\$41.61	\$56.23
* 503550	30" Heavy Section Legendary Bedknife	\$47.10	\$63.65
MAGKnives			
* 4131009	26" Heavy Section MAGKnife	\$53.38	\$72.14
Hydraulic Fluid			
* 5003103	GreensCare 68 - 5 gallon pail	\$146.01	\$197.32
* 5003102	GreensCare 68 - 55 gallon drum	\$1,528.56	\$2,065.62
* 4219860	GreensCare Plus 68 - 5 gallon pail	\$226.88	\$306.60



Model No.	Description	NJPA Net Price	
		USD	List Price USD
TR-3	The TR-3 Triplex Reel Mower features standard OPS with seat belt, 3WD, and suspension seat with armrest; less cutting units. Ships crated. Factory filled with GreensCare 46 Bio hydraulic fluid.		
069186	TR-3 (replaces 069160)	\$23,529.78	\$31,797.00
Cutting Units; less front roller (one of each required)			
068093	26" 7 blade reel, LH front	\$1,785.62	\$2,413.00
068094	26" 7 blade reel, RH front	\$1,785.62	\$2,413.00
068097	26" 7 blade reel, Center	\$1,785.62	\$2,413.00
Rollers (1 front roller per cutting unit required)			
067731	26" Grooved steel front rollers, set of 3	\$899.10	\$1,215.00
Accessories			
069147	26" Grooved front roller scrapers, set of 3	\$185.74	\$251.00
067909	(1) 26" Rear roller scraper (3 required)	\$55.50	\$75.00
LMAC182	26" Grass catchers, gray w/ hardware, set of 3	\$882.82	\$1,193.00
LMAC378	Backlap valve kit	\$505.42	\$683.00
LMAC163	Work Lights	\$210.16	\$284.00
068127	Canopy / Sunshade Kit - Adjustable	\$796.98	\$1,077.00
* 4160780	Quick connect jumper cables (connects to adapter provided on unit)	\$198.32	\$268.00
Common Maintenance Parts			
Classic XP Reels			
* 5002087	7 blade, 26" Classic XP reel cylinder (left, center)	\$255.14	\$344.78
* 5002088	7 blade, 26" Classic XP reel cylinder (right)	\$269.29	\$363.90
* 2500714	10 blade, 26" Classic XP reel cylinder (left, center)	\$360.35	\$486.96
* 2500715	10 blade, 26" Classic XP reel cylinder (right)	\$407.46	\$550.63
Legendary Bedknives			
* 554284	26" Heavy Section Legendary Bedknife	\$41.61	\$56.23
MAGKnives			
* 4131009	26" Heavy Section MAGKnife	\$53.38	\$72.14
Hydraulic Fluid			
* 5003104	GreensCare 46 - 5 gallon pail	\$142.88	\$193.08
* 5003105	GreensCare 46 - 55 gallon drum	\$1,454.74	\$1,965.87
* 4219840	GreensCare Plus 46 - 5 gallon pail	\$219.83	\$297.06



Contract Number 070313-JCS

Company Confidential

* Service item - purchased through the parts department. (N)- new item or updated part number. All prices are Ex Works Charlotte, NC unless otherwise specified

Model No.	Description	NJPA Net Price	
		USD	List Price USD
Large Area Reel Mowers			
SLF-1880	SLF-1880 Super Lightweight Fairway Mower models feature standard ROPS with seat belt, headlights, and suspension seat with armrest; less cutting units and grass catchers. Factory filled with GreensCare 68 Bio fluid.		
068007	SLF-1880 2WD (replaces 067955)	\$28,794.88	\$38,912.00
068008	SLF-1880 4WD (replaces 067956)	\$31,528.44	\$42,606.00
Cutting Units; less front roller (5 required)			
062837	TrueSet Cutting Unit SLF1880, 18" 8 blade (replaces 067933)	\$1,535.50	\$2,075.00
062838	TrueSet Cutting Unit SLF1880, 18" 11 blade reel (replaces 067932)	\$1,585.08	\$2,142.00
067928	Verticut reel, .75-inch spacing (includes front and rear rollers; less lift yoke set 067934)	\$1,312.76	\$1,774.00
067934	Lift yoke set for Verticut reels (set of 5)	\$782.18	\$1,057.00
Rollers (1 front roller per cutting unit required unless Turf Groomer is selected)			
068626	18" Solid tube front roller w/ scraper (2 - 3/16" diameter)	\$313.76	\$424.00
067925	18" Grooved steel front roller w/ scraper (3" diameter)	\$281.94	\$381.00
068616	18" Grooved machined steel roller (2 - 3/16" diameter)	\$271.58	\$367.00
068674	18" Solid tube rear roller w/ scraper (2 - 3/16" diameter)	\$262.70	\$355.00
* 4108920	18" Hollow smooth tube steel roller (2" diameter)	\$180.57	\$244.01
* 4115860	15.5" Narrow width solid tube steel rear roller (2 - 3/16" diameter) (5 per machine)	\$157.02	\$212.19
Accessories			
067926	18" Turf Groomer .5" spacing for 5" x 18" cutting unit	\$1,839.64	\$2,486.00
067930	Grass Catcher	\$211.64	\$286.00
062819	Powered rear roller brush for 5"x18" cutting unit (requires counterweight 4257240)	\$395.90	\$535.00
* 4257240	Counterweight kit (for use with powered rear roller brush)	\$47.26	\$63.86
068634	High cut kit (extends HOC to 15/16" when used with 2-3/16" roller)	\$79.92	\$108.00
068127	Canopy / Sunshade Kit - Adjustable	\$796.98	\$1,077.00
* 4266510	18" TrueSet bedknife adjustment conversion kit (convert previous 4-point to new TrueSet) - requires service parts 4266550, 4268351 and 4268352 for units not predrilled	\$237.54	\$321.00
Common Maintenance Parts			
Classic XP Reels			
* 4119512	8 blade, 5" x 18" Classic XP reel cylinder	\$215.89	\$291.75
* 4119513	11 blade, 5" x 18" Classic XP reel cylinder	\$273.98	\$370.24
Legendary Bedknives			
* 4118902	18" Medium Section Legendary Bedknife	\$50.24	\$67.90
* 5000098	18" Low Profile Legendary Bedknife (for Tournament applications)	\$35.33	\$47.74
MAGKnives			
* 4161022	SLF-1880 MAGSystem kit	\$244.94	\$331.00
* 4131006	18" Medium Section MAGKnife	\$62.81	\$84.87
* 4131371	18" Low Profile MAGKnife (for Tournament applications)	\$61.24	\$82.75
Hydraulic Fluid			
* 5003103	GreensCare 68 - 5 gallon pail	\$146.01	\$197.32
* 5003102	GreensCare 68 - 55 gallon drum	\$1,528.56	\$2,065.62
* 4219860	GreensCare Plus 68 - 5 gallon pail	\$226.88	\$306.60
Maintenance Kits			
* 4199042	500 Hour Interval Maintenance Kit for SLF-1880 - includes: (1) engine air filter, (1) engine oil filter, (1) fuel filter, (1) hydraulic oil filter, 10 gal GreensCare 68 biodegradable hydraulic oil.	\$299.90	\$405.27



Contract Number 070313-JCS

Company Confidential

* Service item - purchased through the parts department. (N)- new item or updated part number. All prices are Ex Works Charlotte, NC unless otherwise specified

Model No.	Description	NJPA Net Price	
		USD	List Price USD
LF510	LF510 Lightweight Fairway Mowers models feature standard headlights, suspension seat with armrest, onboard control module, and backlapping; less cutting units and grass catchers. Factory filled with standard 10W-30 (red) hydraulic fluid. 2WD model standard less ROPS and seatbelt; 4WD model equipped standard with foldable ROPS and seat belt.		
068009	LF510 2WD (replaces 067991) (Equipped standard WITHOUT ROPS & seatbelt. Note the LF510 2WD without ROPS is for use in specific applications on level ground with no potential of roll over. This unit is NOT for use on hills or slopes. ROPS and seat belt accessory kit required before using on hills or slopes.)	\$31,577.28	\$42,672.00
068010	LF510 4WD (replaces 067992)	\$35,266.92	\$47,658.00
5" Diameter Cutting Units; less front roller (3 LH and 2 RH required for LF550, LF510)			
062839	TrueSet Cutting Unit LF510, LF550, 7 blade reel LH (3 required) (replaces 067984)	\$1,596.92	\$2,158.00
062840	TrueSet Cutting Unit LF510, LF550, 7 blade reel RH (2 required) (replaces 067985)	\$1,596.92	\$2,158.00
062855	TrueSet Cutting Unit LF510, LF550, 9 blade reel LH (3 required)	\$1,687.20	\$2,280.00
062856	TrueSet Cutting Unit LF510, LF550, 9 blade reel RH (2 required)	\$1,687.20	\$2,280.00
067894	Verticut reel, .75" spacing (includes front and rear rollers, and lift yoke; LH-3 required)	\$1,499.24	\$2,026.00
067895	Verticut reel, .75" spacing (includes front and rear rollers, and lift yoke; RH-2 required)	\$1,499.24	\$2,026.00
Rollers (1 front roller per cutting unit required unless Turf Groomer is selected)			
068527	22" Grooved assembly steel disc roller (2" diameter)	\$224.22	\$303.00
068673	22" Grooved segmented machined aluminum roller (2 - 1/4" diameter)	\$253.08	\$342.00
068530	22" Solid tube steel roller with scraper - light (2" diameter)	\$189.44	\$256.00
068641	22" Solid tube steel roller with scraper - heavy (2" diameter)	\$248.64	\$336.00
068613	22" Grooved machined steel roller (2 - 3/16" diameter)	\$262.70	\$355.00
068614	22" Grooved machined aluminum roller (2 - 3/16" diameter)	\$262.70	\$355.00
* 123268	22" Grooved steel front roller (3" diameter)	\$196.65	\$265.74
* 391202	Front roller scraper for 3" grooved steel front roller (fits LF550, LF510)	\$34.30	\$46.35
* 1004990	22" Solid tube steel rear roller (2" diameter)	\$83.22	\$112.46
* 1000770	22" Solid tube steel rear roller (2" diameter)	\$128.75	\$173.99
* 5003687	20" Solid tube steel rear roller (2 - 1/2" diameter)	\$132.68	\$179.29
* 1003728	22" Solid tube steel rear roller (2 - 1/2" diameter)	\$145.24	\$196.27
* 1002446	24" Solid tube steel rear roller (2 - 1/2" diameter)	\$134.25	\$181.41
Accessories			
067998	LF510 ROPS & Seatbelt Kit (Jacobsen recommends the use of a certified ROPS and seat belt in all instances where hills or slopes may be encountered.)	\$519.48	\$702.00
067999	LF510 Control Console Arm Swivel Kit (side-to-side movement like LF550/570) for serial numbers 6799101501 - 01668, and 6799201501 - 01658	\$363.34	\$491.00
067144	LF510 Control Console Arm Swivel Kit (side-to-side movement like LF550/570) for serial numbers 6799101669 - 01682, and 6799201659 - 01674 (key switch change)	\$363.34	\$491.00
067145	LF510 Control Console Arm Swivel Kit (side-to-side movement like LF550/570) for serial numbers 6799101683-forward, and 6799201675-forward (main harness change)	\$363.34	\$491.00
062820	Powered rear roller brush for 5"x22" cutting unit (replaces 068643)	\$471.38	\$637.00
067891	Grass Catcher (no mounting kit required for 5" reel)	\$228.66	\$309.00
068127	Canopy / Sunshade Kit - Adjustable	\$796.98	\$1,077.00
067911	22" Turf Groomer, .25" spacing for 5" x 22" cutting unit (recommended for greens applications only); 2 required	\$1,998.74	\$2,701.00
067913	22" Turf Groomer, .50" spacing for 5" x 22" cutting unit; 2 required	\$1,998.74	\$2,701.00
067912	22" Turf Groomer, .25" spacing for 5" x 22" cutting unit (recommended for greens applications only); 3 required	\$1,998.74	\$2,701.00
067914	22" Turf Groomer, .50" spacing for 5" x 22" cutting unit; 3 required	\$1,998.74	\$2,701.00



Model No.	Description	NJPA Net Price	
		USD	List Price USD
Accessories - continued			
4265199	LF550/570, LF510 Jacobsen Ball Cage – ACC for dealer installation (6-post ROPS, Canopy, Lexan windshield, Steel framed doors including RH door bump out for control arm, Metal mesh fixed windows, sides and rear surround, Rear weights); requires hood front corners trimming	\$2,688.42	\$3,633.00
4265200	LF550/570, LF510 Jacobsen Ball Cage – MOD, factory installed (6-post ROPS, Canopy, Lexan windshield, Steel framed doors including RH door bump out for control arm, Metal mesh fixed windows, sides and rear surround, Rear weights)	\$3,191.62	\$4,313.00
* 1004049	Hood Locking Latch (required for CE)	\$26.69	\$36.07
067917	High Height of Cut kit for 5" reel (5 required for LF550, LF510) - extends HOC to 1 - 3/16"	\$126.54	\$171.00
* 4266530	22" TrueSet bedknife adjustment conversion kit (convert previous 4-point to new TrueSet) - requires service parts 4266550, 4268351 and 4268352 for units not predrilled	\$243.90	\$329.60
Common Maintenance Parts			
Classic XP Reels			
* 5003053	7 blade, 5" x 22" Classic XP reel cylinder (left) (LF550, LF510)	\$259.85	\$351.15
* 5003054	7 blade, 5" x 22" Classic XP reel cylinder (right) (LF550, LF510)	\$259.85	\$351.15
Legendary Bedknives			
* 503460	22" Heavy Section Legendary Bedknife	\$43.18	\$58.35
* 5003150	22" Medium Section Legendary Bedknife	\$35.33	\$47.74
MAGKnives			
* 4165260	MAGSystem kit (includes backing, magnets, and medium section MAGKnife (LF550, LF510)	\$256.71	\$346.90
* 4131010	22" Heavy Section MAGKnife	\$47.89	\$64.71
* 4131005	22" Medium Section MAGKnife	\$51.81	\$70.02
Hydraulic Fluid (Standard)			
* 2500548	10W-30, 2.5 gallon pail, 2 pack	\$107.55	\$145.34
* 2500546	10W-30, 5 gallon pail	\$113.83	\$153.83
Hydraulic Fluid (Optional)			
* 5003103	GreensCare 68 - 5 gallon pail	\$146.01	\$197.32
* 5003102	GreensCare 68 - 55 gallon drum	\$1,528.56	\$2,065.62
* 4219860	GreensCare Plus 68 - 5 gallon pail	\$226.88	\$306.60



Model No.	Description	NJPA Net Price	
		USD	List Price USD
LF550/557	LF550 & LF557 Lightweight Fairway Mowers model feature standard foldable ROPS with seat belt, headlights, suspension seat with armrest, onboard control module, and backlapping; less cutting units and grass catchers. Factory filled with GreensCare 68 Bio hydraulic fluid. Tier 4 Final (Stage IIIB) Engine (common rail and DPF) model requires use of Ultra-low sulfur diesel (ULSD).		

LF550 - (5 reel Lightweight Fairway Mower with Standard Seat)

068019-231155	LF550 2WD -T4F (37.5 HP - Sold In ULSD countries only)	\$40,456.54	\$54,671.00
068019-431155	LF550 4WD -T4F (37.5 HP - Sold In ULSD countries only)	\$43,640.76	\$58,974.00
068019-261155	LF550 2WD H-T4F (50 HP - Sold In ULSD countries only)	\$42,090.46	\$56,879.00
068019-461155	LF550 4WD H-T4F (50 HP - Sold In ULSD countries only)	\$45,404.18	\$61,357.00

LF557 - (7 reel Lightweight Fairway Mower with Standard Seat)

068019-461157	LF557 4WD H-T4F (50 HP - Sold In ULSD countries only)	\$52,698.36	\$71,214.00
---------------	---	-------------	-------------

LF550 - (5 reel Lightweight Fairway Mower with Premium Seat)

068019-231355	LF550 2WD PS-T4F (37.5 HP - Sold In ULSD countries only)	\$41,206.90	\$55,685.00
068019-431355	LF550 4WD PS-T4F (37.5 HP - Sold In ULSD countries only)	\$44,390.38	\$59,987.00
068019-261355	LF550 2WD H-PS-T4F (50 HP - Sold In ULSD countries only)	\$42,840.82	\$57,893.00
068019-461355	LF550 4WD H-PS-T4F (50 HP - Sold In ULSD countries only)	\$46,153.80	\$62,370.00

LF557 - (7 reel Lightweight Fairway Mower with Premium Seat)

068019-461357	LF557 4WD H-PS-T4F (50 HP - Sold In ULSD countries only)	\$53,447.98	\$72,227.00
---------------	--	-------------	-------------

LF550 - (Limited availability / Obsolete when inventory depleted)

068015	LF550 2WD -T4F (35 HP - Sold in ULSD countries only)	\$40,456.54	\$54,671.00
068016	LF550 4WD -T4F (35 HP - Sold in ULSD countries only)	\$43,640.76	\$58,974.00
068011	LF550 2WD H-T4F (50 HP - Sold in ULSD countries only)	\$42,090.46	\$56,879.00
068012	LF550 4WD H-T4F (50 HP - Sold in ULSD countries only)	\$45,404.18	\$61,357.00

5" Diameter Cutting Units; less front roller (3 LH and 2 RH required for LF550, LF510, 4 LH and 3 RH required for LF557)

062839	TrueSet Cutting Unit LF510, LF550, 7 blade reel LH (LF550/LF510 - 3 required. LF557 - 4 required) (replac	\$1,596.92	\$2,158.00
062840	TrueSet Cutting Unit LF510, LF550, 7 blade reel RH (LF550/LF510 - 3 required. LF557 - 3 required) (replac	\$1,596.92	\$2,158.00
062855	TrueSet Cutting Unit LF510, LF550, 9 blade reel LH (LF550/LF510 - 3 required. LF557 - 4 required)	\$1,687.20	\$2,280.00
062856	TrueSet Cutting Unit LF510, LF550, 9 blade reel RH (LF550/LF510 - 2 required. LF557 - 3 required)	\$1,687.20	\$2,280.00
067894	Verticut reel, .75" spacing (includes front and rear rollers, and lift yoke; LF550/LF510 - 3 required. L	\$1,499.24	\$2,026.00
067895	Verticut reel, .75" spacing (includes front and rear rollers, and lift yoke; LF550/LF510 - 2 required. L	\$1,499.24	\$2,026.00

Rollers (1 front roller per cutting unit required unless Turf Groomer is selected)

068527	22" Grooved assembly steel disc roller (2" diameter)	\$224.22	\$303.00
068673	22" Grooved segmented machined aluminum roller (2 - 1/4" diameter)	\$253.08	\$342.00
068530	22" Solid tube steel roller with scraper - light (2" diameter)	\$189.44	\$256.00
068641	22" Solid tube steel roller with scraper - heavy (2" diameter)	\$248.64	\$336.00
068613	22" Grooved machined steel roller (2 - 3/16" diameter)	\$262.70	\$355.00
068614	22" Grooved machined aluminum roller (2 - 3/16" diameter)	\$262.70	\$355.00
* 123268	22" Grooved steel front roller (3" diameter)	\$196.65	\$265.74
* 391202	Front roller scraper for 3" grooved steel front roller (fits LF550, LF510)	\$34.30	\$46.35
* 1004990	22" Solid tube steel rear roller (2" diameter)	\$83.22	\$112.46
* 1000770	22" Solid tube steel rear roller (2" diameter)	\$128.75	\$173.99
* 5003687	20" Solid tube steel rear roller (2 - 1/2" diameter)	\$132.68	\$179.29
* 1003728	22" Solid tube steel rear roller (2 - 1/2" diameter)	\$145.24	\$196.27
* 1002446	24" Solid tube steel rear roller (2 - 1/2" diameter)	\$134.25	\$181.41



Model No.	Description	NJPA Net Price	
		USD	List Price USD
Accessories			
062820	Powered rear roller brush for 5"x22" cutting unit (replaces 068643)	\$471.38	\$637.00
067891	Grass Catcher (no mounting kit required for 5" reel)	\$228.66	\$309.00
068127	Canopy / Sunshade Kit - Adjustable	\$796.98	\$1,077.00
067911	22" Turf Groomer, .25" spacing for 5" x 22" cutting unit (recommended for greens applications only); 2 required	\$1,998.74	\$2,701.00
067913	22" Turf Groomer, .50" spacing for 5" x 22" cutting unit; 2 required	\$1,998.74	\$2,701.00
067912	22" Turf Groomer, .25" spacing for 5" x 22" cutting unit (recommended for greens applications only); 3 required	\$1,998.74	\$2,701.00
067914	22" Turf Groomer, .50" spacing for 5" x 22" cutting unit; 3 required	\$1,998.74	\$2,701.00
4265199	LF550/570, LF510 Jacobsen Ball Cage – ACC for dealer installation (6-post ROPS, Canopy, Lexan windshield, Steel framed doors including RH door bump out for control arm, Metal mesh fixed windows, sides and rear surround, Rear weights); requires hood front corners trimming	\$2,688.42	\$3,633.00
4265200	LF550/570, LF510 Jacobsen Ball Cage – MOD, factory installed (6-post ROPS, Canopy, Lexan windshield, Steel framed doors including RH door bump out for control arm, Metal mesh fixed windows, sides and rear surround, Rear weights)	\$3,191.62	\$4,313.00
* 1004049	Hood Locking Latch (required for CE)	\$26.69	\$36.07
067917	High Height of Cut kit for 5" reel (5 required for LF550, LF510, 7 required for LF557) - extends	\$126.54	\$171.00
* 4238642	LED Light Kit - Operator platform mounted, includes one LED Light (for LF550, LF570)	\$331.56	\$448.05
* 4266530	22" TrueSet bedknife adjustment conversion kit (convert previous 4-point to new TrueSet) - requires service parts 4266550, 4268351 and 4268352 for units not predrilled	\$243.90	\$329.60
Common Maintenance Parts			
Classic XP Reels			
* 5003053	7 blade, 5" x 22" Classic XP reel cylinder (left) (LF550, LF557, LF510)	\$259.85	\$351.15
* 5003054	7 blade, 5" x 22" Classic XP reel cylinder (right) (LF550, LF557, LF510)	\$259.85	\$351.15
Legendary Bedknives			
* 503460	22" Heavy Section Legendary Bedknife	\$43.18	\$58.35
* 5003150	22" Medium Section Legendary Bedknife	\$35.33	\$47.74
MAGKnives			
* 4165260	MAGSystem kit (includes backing, magnets, and medium section MAGKnife (LF550, LF510)	\$256.71	\$346.90
* 4131010	22" Heavy Section MAGKnife	\$47.89	\$64.71
* 4131005	22" Medium Section MAGKnife	\$51.81	\$70.02
Hydraulic Fluid			
* 5003103	GreensCare 68 - 5 gallon pail	\$146.01	\$197.32
* 5003102	GreensCare 68 - 55 gallon drum	\$1,528.56	\$2,065.62
* 4219860	GreensCare Plus 68 - 5 gallon pail	\$226.88	\$306.60
Maintenance Kits			
* 4199043	500 Hour Interval Maintenance Kit for LF550, LF570, LF-3400, LF-3800, LF-4675, LF-4677 - includes: (1) engine air filter, (1) engine oil filter, (1) fuel filter, (2) hydraulic oil filters, 15 gal GreensCare 68 biodegradable hydraulic oil.	\$443.57	\$599.42



Contract Number 070313-JCS

Model No.	Description	NJPA Net Price	
		USD	List Price USD
LF570/577	LF570 & LF577 Lightweight Fairway Mowers models feature standard foldable ROPS with seat belt, headlights, suspension seat with armrest, onboard control module, and backlapping; less cutting units and grass catchers. Factory filled with GreensCare 68 Bio hydraulic fluid. Tier 4 Final (Stage IIIB) Engine (common rail and DPF) model requires use of Ultra-low sulfur diesel (ULSD).		
LF570 - (5 reel Lightweight Fairway Mower with Standard Seat)			
068019-231175	LF570 2WD -T4F (37.5 HP - Sold In ULSD countries only)	\$43,807.26	\$59,199.00
068019-431175	LF570 4WD -T4F (37.5 HP - Sold In ULSD countries only)	\$46,498.64	\$62,836.00
068019-261175	LF570 2WD H-T4F (50 HP - Sold In ULSD countries only)	\$45,577.34	\$61,591.00
068019-461175	LF570 4WD H-T4F (50 HP - Sold In ULSD countries only)	\$48,377.50	\$65,375.00
LF577 - (7 reel Lightweight Fairway Mower with Standard Seat)			
068019-461177	LF577 4WD H-T4F (50 HP - Sold In ULSD countries only)	\$56,149.72	\$75,878.00
LF570 - (5 reel Lightweight Fairway Mower with Premium Seat)			
068019-231375	LF570 2WD PS-T4F (37.5 HP - Sold In ULSD countries only)	\$44,556.88	\$60,212.00
068019-431375	LF570 4WD PS-T4F (37.5 HP - Sold In ULSD countries only)	\$47,248.26	\$63,849.00
068019-261375	LF570 2WD H-PS-T4F (50 HP - Sold In ULSD countries only)	\$46,326.96	\$62,604.00
068019-461375	LF570 4WD H-PS-T4F (50 HP - Sold In ULSD countries only)	\$49,127.12	\$66,388.00
LF577 - (7 reel Lightweight Fairway Mower with Premium Seat)			
068019-461377	LF577 4WD H-PS-T4F (50 HP - Sold In ULSD countries only)	\$56,899.34	\$76,891.00
LF570 - (Limited availability / Obsolete when inventory depleted)			
068017	LF570 2WD -T4F (Sold in ULSD countries only)	\$43,807.26	\$59,199.00
068018	LF570 4WD -T4F (Sold in ULSD countries only)	\$46,498.64	\$62,836.00
068013	LF570 2WD H-T4F (Sold in ULSD countries only)	\$45,577.34	\$61,591.00
068014	LF570 4WD H-T4F (Sold in ULSD countries only)	\$48,377.50	\$65,375.00
7" Diameter Cutting Units; less front roller (5 required for LF570; 7 required for LF577)			
067986	11 blade reel	\$1,791.54	\$2,421.00
067987	9 blade reel	\$1,782.66	\$2,409.00
067854	Verticut reel, 1" spacing (includes front and rear rollers; less lift yoke #1003361)	\$1,652.42	\$2,233.00
Rollers (1 front roller per cutting unit required unless Turf Groomer is selected)			
068527	22" Grooved assembly steel disc roller (2" diameter)	\$224.22	\$303.00
068673	22" Grooved segmented machined aluminum roller (2 - 1/4" diameter)	\$253.08	\$342.00
068530	22" Solid tube steel roller with scraper - light (2" diameter)	\$189.44	\$256.00
068641	22" Solid tube steel roller with scraper - heavy (2" diameter)	\$248.64	\$336.00
068613	22" Grooved machined steel roller (2 - 3/16" diameter)	\$262.70	\$355.00
068614	22" Grooved machined aluminum roller (2 - 3/16" diameter)	\$262.70	\$355.00
* 123268	22" Grooved steel front roller (3" diameter)	\$196.65	\$265.74
* 3006263	Front roller scraper for 3" grooved steel front roller (fits LF570, LF577)	\$22.87	\$30.90
* 1004990	22" Solid tube steel rear roller (2" diameter)	\$83.22	\$112.46
* 1000770	22" Solid tube steel rear roller (2" diameter)	\$128.75	\$173.99
* 5003687	20" Solid tube steel rear roller (2 - 1/2" diameter)	\$132.68	\$179.29
* 1003728	22" Solid tube steel rear roller (2 - 1/2" diameter)	\$145.24	\$196.27
* 1002446	24" Solid tube steel rear roller (2 - 1/2" diameter)	\$134.25	\$181.41
Accessories			
062821	Powered rear roller brush for 7"x22" cutting unit (replaces 067832)	\$552.78	\$747.00
4239802	Heavy-duty rear roller scraper bar kit for 7" reel with rear roller brush (set of 5)	\$161.32	\$218.00
067891	Grass Catcher (catcher mounting hardware kit required for 7" reel)	\$228.66	\$309.00
067919	RH Catcher Mounting Hardware Kit, 7" reel (3 for LF570, 4 for LF577)	\$55.50	\$75.00
067920	LH Catcher Mounting Hardware Kit, 7" reel (2 for LF570, 3 for LF577)	\$55.50	\$75.00
068127	Canopy / Sunshade Kit - Adjustable	\$796.98	\$1,077.00
067989	22" Turf Groomer, .50" spacing for 7" x 22" cutting unit; 2 required for LF570, 3 for LF577	\$2,017.98	\$2,727.00
067988	22" Turf Groomer, .50" spacing for 7" x 22" cutting unit; 3 required for LF570, 4 for LF577	\$2,017.98	\$2,727.00



Model No.	Description	NJPA Net Price	
		USD	List Price USD
Accessories - continued			
4265199	LF550/570, LF510 Jacobsen Ball Cage – ACC for dealer installation (6-post ROPS, Canopy, Lexan windshield, Steel framed doors including RH door bump out for control arm, Metal mesh fixed windows, sides and rear surround, Rear weights); requires hood front corners trimming	\$2,688.42	\$3,633.00
4265200	LF550/570, LF510 Jacobsen Ball Cage – MOD, factory installed (6-post ROPS, Canopy, Lexan windshield, Steel framed doors including RH door bump out for control arm, Metal mesh fixed windows, sides and rear surround, Rear weights)	\$3,191.62	\$4,313.00
* 1004049	Hood Locking Latch (required for CE)	\$26.69	\$36.07
* 1003361	Lift Yoke for 7" Cutting unit or Verticut reel (5 required for LF570, 7 for LF577)	\$149.95	\$202.63
* 4113920	High Height of Cut Kit for 7" reel (5 for LF570, 7 for LF577) - extends HOC to 1 - 9/16"	\$115.09	\$155.53
* 4238642	LED Light Kit - Operator platform mounted, includes one LED Light (for LF550, LF570)	\$331.56	\$448.05
Common Maintenance Parts			
Classic XP Reels			
* 2810471	9 blade, 7" x 22" Classic XP reel cylinder (LF570, LF577)	\$338.37	\$457.26
* 2810472	11 blade, 7" x 22" Classic XP reel cylinder (LF570, LF577)	\$365.06	\$493.33
Legendary Bedknives			
* 503460	22" Heavy Section Legendary Bedknife	\$43.18	\$58.35
* 5003150	22" Medium Section Legendary Bedknife	\$35.33	\$47.74
MAGKnives			
* 4161082	MAGSystem kit (includes backing, magnets, and heavy section MAGKnife (LF570, LF577)	\$244.94	\$331.00
* 4131010	22" Heavy Section MAGKnife	\$47.89	\$64.71
* 4131005	22" Medium Section MAGKnife	\$51.81	\$70.02
Hydraulic Fluid			
* 5003103	GreensCare 68 - 5 gallon pail	\$146.01	\$197.32
* 5003102	GreensCare 68 - 55 gallon drum	\$1,528.56	\$2,065.62
* 4219860	GreensCare Plus 68 - 5 gallon pail	\$226.88	\$306.60
Maintenance Kits			
* 4199043	500 Hour Interval Maintenance Kit for LF550, LF570, LF-4677 - includes: (1) engine air filter, (1) engine oil filter, (1) fuel filter, (2) hydraulic oil filters, 15 gal GreensCare 68 biodegradable hydraulic oil.	\$443.57	\$599.42

MH5 The tractor mounted MH5 features five 30" wide eight inch diameter reels or verticut reels with a combined cutting width of 135". Reels are hydraulically driven by a self contained hydraulic system powered from the tractor by mechanical PTO. Built in oil cooler. A manual selector valve provides forward, reverse or neutral rotation. Requires 40hp minimum, 1-3/8" x 6 spline 540rpm PTO and a Cat 1 or Cat 2 three-point hitch.

LBMA405	MH5 (less cutting units)	\$13,747.20	\$17,184.00
8" Diameter Cutting Units (5 required)			
LMAC603-L	8 Bladed Reel - LH (2 Required)	\$2,392.00	\$2,990.00
LMAC603-R	8 Bladed Reel - RH (3 Required)	\$2,392.00	\$2,990.00
LMAC604-L	6 Bladed Reel - LH (2 Required)	\$2,367.20	\$2,959.00
LMAC604-R	6 Bladed Reel - RH (3 Required)	\$2,367.20	\$2,959.00
LMAC605-L	Verticut - LH (2 Required)	\$2,272.00	\$2,840.00
LMAC605-R	Verticut - RH (3 Required)	\$2,272.00	\$2,840.00

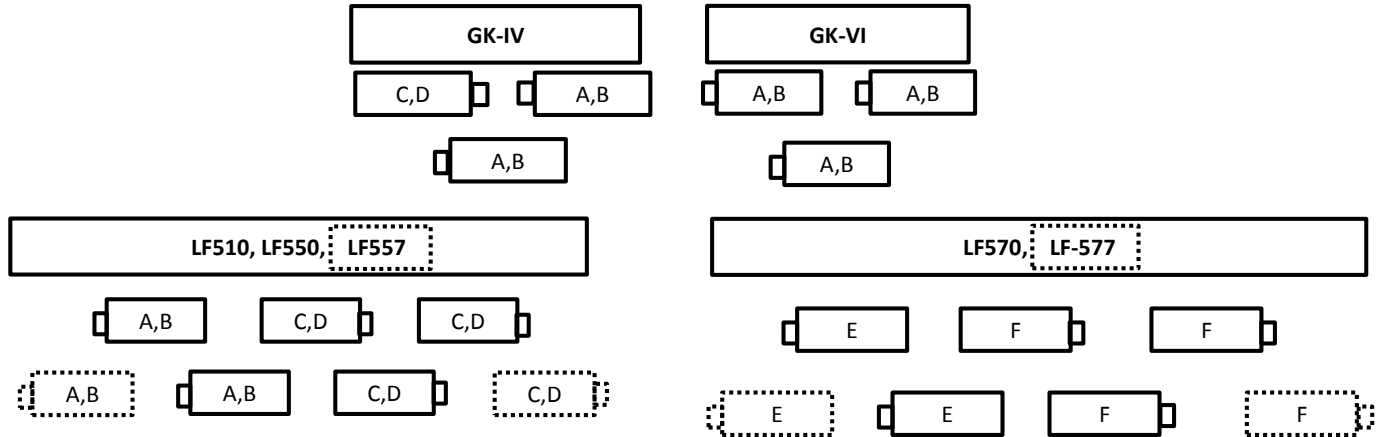
Common Maintenance Parts			
Legendary Bedknives			
* MBA7037A	Low Profile Bedknife (lowest HOC 0.31" (8mm)	\$144.00	\$180.00
* MBA7024A	Standard Profile Bedknife (comes standard on cutting units, (lowest HOC 0.5" (12.7mm)	\$40.93	\$51.16



Model No.	Description	NJPA Net Price	
		USD	List Price USD
Turf Groomers			

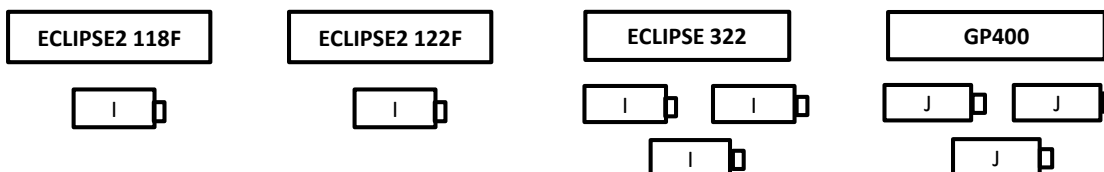
Turf Groomer Use the diagram below to select the correct Turf Groomer part number and quantity. The 0.25" spacing recommended for greens use only.

067911	22" Turf Groomer, .25" spacing for 5" x 22" cutting unit	A	\$1,998.74	\$2,701.00
067913	22" Turf Groomer, .50" spacing for 5" x 22" cutting unit	B	\$1,998.74	\$2,701.00
067912	22" Turf Groomer, .25" spacing for 5" x 22" cutting unit	C	\$1,998.74	\$2,701.00
067914	22" Turf Groomer, .50" spacing for 5" x 22" cutting unit	D	\$1,998.74	\$2,701.00
067989	22" Turf Groomer, .50" spacing for 7" x 22" cutting unit	E	\$2,017.98	\$2,727.00
067988	22" Turf Groomer, .50" spacing for 7" x 22" cutting unit	F	\$2,017.98	\$2,727.00



Bi-Directional Groomer/ Brush Use the diagram below to select the correct Bi-Directional Groomer/ Brush part numbers. One option must be selected from each group except "Other" to make a functional groomer or brush system. Note: The Bi-directional groomer / brush system is compatible with the ECLIPSE2 18" and 22" floating head models only. It is not compatible with the ECLIPSE2 18" or 22" fixed head models or the ECLIPSE2 26" models.

Drive System - Select one drive system per cutting unit, electric or hydraulic drive				
062900	Drive Groomer/Brush 5in Reel-LH Electric	I	\$1,190.66	\$1,609.00
062901	Drive Groomer/Brush 5in Reel-LH Hyd	J	\$1,190.66	\$1,609.00
Implement - Select one or more based on customer needs				
062907	Groomer, 18in., 1/4in. spacing		\$289.34	\$391.00
062915	Brush, 18in., Herringbone, Stiff Bristle		\$192.40	\$260.00
062916	Brush, 18in., Herringbone, Medium Bristle		\$192.40	\$260.00
062917	Brush, 18in., Herringbone, Soft Bristle		\$192.40	\$260.00
062905	Groomer, 22in., 1/4in. spacing		\$289.34	\$391.00
062906	Groomer 22in., - 1/2in spacing		\$224.22	\$303.00
062909	Brush, 22in., Herringbone, Stiff Bristle		\$192.40	\$260.00
062910	Brush, 22in., Herringbone, Medium Bristle		\$192.40	\$260.00
062911	Brush, 22in., Herringbone, Soft Bristle		\$192.40	\$260.00
Roller - Select one or more based on customer needs, grooved roller if selected with a groomer must match spacing on groomer				
062930	Front roller, Grooved, 18in., 1/4in. spacing		\$201.28	\$272.00
062931	Front roller, Solid, 18in.		\$217.56	\$294.00
062927	Front roller, Grooved, 22in., 1/4in. spacing		\$201.28	\$272.00
062928	Front roller, Grooved, 22in., 1/2in. spacing		\$201.28	\$272.00
062929	Front roller, Solid, 22in.		\$217.56	\$294.00
Other - for customers that purchase multiple implement				
062934	Quick change kit		\$202.02	\$273.00
062935	Guide Wheel Kit		\$43.66	\$59.00



Contract Number 070313-JCS

Company Confidential

* Service item - purchased through the parts department. (N)- new item or updated part number. All prices are Ex Works Charlotte, NC unless otherwise specified

Model No.	Description	NJPA Net Price	
		USD	List Price USD

Zero Turn Mowers

(Not CE Compliant)

ZT400 Series ZT400 Series mowers feature standard Parker® HTE transmissions, InCommand™ console with "soft start" clutch, maintenance free deck spindles, a Class 1 hitch, and foldable ROPs.

(N) 099099-ZT42248KW	22 hp Kawasaki FS, 48" Deck (available February 2017)	\$5,919.20	\$7,399.00
(N) 099099-ZT42554BR	25 hp B&S, 54" Deck (available February 2017)	\$5,999.20	\$7,499.00
(N) 099099-ZT42560BR	25 hp B&S, 60" Deck (available February 2017)	\$6,159.20	\$7,699.00
(N) 099099-ZT42454KW	24 hp Kawasaki FS, 54" Deck (available February 2017)	\$6,319.20	\$7,899.00
(N) 099099-ZT42460KW	24 hp Kawasaki FS, 60" Deck (available February 2017)	\$6,399.20	\$7,999.00

Accessories

902985	Striping Kit (fits all models)	\$65.60	\$82.00
902986	Mulch Kit 48" Deck	\$170.26	\$212.83
902987	Mulch Kit 54" Deck	\$193.48	\$241.85
100200-K	Springer Forks (Set of 2)	\$361.10	\$451.38

ZT600 Series ZT600 Series mowers feature standard Parker® HTJ transmissions, InCommand™ console with "soft start" clutch, maintenance free deck spindles, Class 1 hitch, foldable ROPs, and branded suspension seat.

(N) 099099-ZT62248KW	22 hp Kawasaki FX, 48" Deck (available February 2017)	\$6,719.20	\$8,399.00
(N) 099099-ZT62454KW	23.5 hp Kawasaki FX, 54" Deck (available February 2017)	\$6,959.20	\$8,699.00
(N) 099099-ZT62460KW	23.5hp Kawasaki FX, 60" Deck (available February 2017)	\$7,119.20	\$8,899.00
(N) 099099-ZT62548KO	25 hp Kohler EFI, 48" Deck (available February 2017)	\$6,719.20	\$8,399.00
(N) 099099-ZT62554KO	25 hp Kohler EFI, 54" Deck (available February 2017)	\$6,959.20	\$8,699.00
(N) 099099-ZT62560KO	25 hp Kohler EFI, 60" Deck (available February 2017)	\$7,119.20	\$8,899.00
(N) 099099-ZT62548KOCA	25 hp Kohler EFI, 48" Deck (CARB Compliant) (available February 2017)	\$6,799.20	\$8,499.00
(N) 099099-ZT62554KOCA	25 hp Kohler EFI, 54" Deck (CARB Compliant) (available February 2017)	\$7,039.20	\$8,799.00
(N) 099099-ZT62560KOCA	25 hp Kohler EFI, 60" Deck (CARB Compliant) (available February 2017)	\$7,199.20	\$8,999.00

Accessories

902985	Striping Kit (fits all models)	\$65.60	\$82.00
902986	Mulch Kit 48" Deck	\$170.26	\$212.83
902987	Mulch Kit 54" Deck	\$193.48	\$241.85
100200-K	Springer Forks (Set of 2)	\$361.10	\$451.38

RZT Pro Series RZT Pro Series mowers feature standard foldable ROPS, operator controlled discharge chute, branded oversized molded seat, and springer caster wheel forks

ZT90011	25 hp Kawasaki, 50" Deck (2016 model year; limited availability)	\$7,996.00	\$9,995.00
ZT90012	27 hp Kohler EFI, 50" Deck (2016 model year; limited availability)	\$8,156.00	\$10,195.00
ZT90013	27 hp Kawasaki, 60" Deck (2016 model year; limited availability)	\$8,796.00	\$10,995.00
ZT90014	27 hp Kohler EFI, 60" Deck (2016 model year; limited availability)	\$8,956.00	\$11,195.00
ZT90009	31 hp Kawasaki, 72" Deck (2016 model year; limited availability)	\$9,359.20	\$11,699.00
ZT90017	31 hp Kohler EFI, 72" Deck	\$9,599.20	\$11,999.00

Accessories

300329	Striping Kit (Chains), 50" and 60" Decks	\$135.01	\$168.76
903252	Mulch Kit 50" Deck	\$168.00	\$210.00
300561	Mulch Kit 60" Deck	\$198.06	\$247.58
903016	Mulch Kit 72" Deck	\$65.60	\$82.00
30302	Magic Mulcher (all models)	\$47.78	\$59.73
30227-50T	Twist Blade 50"	\$10.76	\$13.45
30227-60T	Twist Blade 60"	\$12.99	\$16.24
30227-72T	Twist Blade 72" Models	\$15.02	\$18.78
300407	Electric Deck Lift	\$383.94	\$479.92
902747	White Soft-Top Sunshade	\$124.96	\$156.20
902748	Black Soft-Top Sunshade	\$124.96	\$156.20
902749	White Hard-Top Sunshade	\$235.87	\$294.84
902750	Black Hard-Top Sunshade	\$235.87	\$294.84



Model No.	Description	NJPA Net Price	
		USD	List Price USD
SZT Pro Series	SZT Pro Series mowers feature fold up operators platform, 26 hp Vanguard® engine (2016 models) or 25 hp Kawasaki FX EFI engine (2017 models), and semi-pneumatic caster wheels		

ZT90023	26 hp Vanguard, 48" Deck (CARB compliant) (2016 model year; limited availability)	\$7,036.00	\$8,795.00
ZT90024	26 hp Vanguard, 54" Deck (CARB compliant) (2016 model year; limited availability)	\$7,196.00	\$8,995.00
(N) ZT90028	25 hp Kawasaki FX EFI, 48" Deck (CARB Compliant) (available February 2017)	\$6,799.20	\$8,499.00
(N) ZT90029	25 hp Kawasaki FX EFI, 54" Deck (CARB Compliant) (available February 2017)	\$6,959.20	\$8,699.00

Accessories

902985	Striping Kit	\$65.60	\$82.00
902986	Mulch Kit 48" Deck	\$170.26	\$212.83
902987	Mulch Kit 54" Deck	\$193.48	\$241.85
903009	Bagger	\$382.14	\$477.68
100405	Springer Forks (each)	\$275.56	\$344.45

WZT Pro Series	WZT Pro Series mowers feature either single or dual drive traction system, 18 hp Briggs & Stratton Professional® engine (2016 models) or 15 hp Kawasaki FS engine (2017 models), and semi-pneumatic caster wheels		
-----------------------	--	--	--

ZT90021	18 hp B&S, 36" Deck, Single Drive (CARB compliant) (2016 model year; limited availability)	\$3,180.00	\$3,975.00
ZT90020	18 hp B&S, 36" Deck, Dual Drive (CARB compliant) (2016 model year; limited availability)	\$4,276.00	\$5,345.00
ZT90022	18 hp B&S, 44" Deck, Dual Drive (CARB compliant) (2016 model year; limited availability)	\$4,524.00	\$5,655.00
(N) ZT90030	15 hp Kawasaki FS, 36" Deck, Single Drive (CARB Compliant) (available February 2017)	\$2,959.20	\$3,699.00
(N) ZT90031	15 hp Kawasaki FS, 36" Deck, Dual Drive (CARB Compliant) (available February 2017)	\$3,839.20	\$4,799.00
(N) ZT90032	15 hp Kawasaki FS, 44" Deck, Dual Drive (CARB Compliant) (available February 2017)	\$3,919.20	\$4,899.00

Accessories

902997	Mulch Kit 36"	\$58.16	\$72.70
902998	Mulch Kit 44"	\$63.66	\$79.57
903029	Bagger	\$399.50	\$499.37
902976	Sulkie (Swivel)	\$350.22	\$437.77
902977	Sulkie (Fixed)	\$317.58	\$396.98



Model No.	Description	NJPA Net Price	
		USD	List Price USD
Large Area Rotary Mowers			
AR-3	The AR-3 features standard OPS with seat belt, 3WD, and suspension seat with armrest; includes three TrimTek rotary cutting decks with 67.5" width of cut lift arms. Factory filled with GreensCare 46 Bio hydraulic fluid.		

069187	AR-3 (24.8 HP Diesel) including decks (replaces 069173)	\$29,500.84	\$39,866.00
--------	---	-------------	-------------

Accessories

LMAC163	Working Lights	\$210.16	\$284.00
068127	Canopy / Sunshade Kit - Adjustable	\$796.98	\$1,077.00
LMAC199	Lift Arm Field Kit, converts 72" machine to 67.5" WOC	\$730.38	\$987.00
LMAC213	Lift Arm Field Kit, converts 67.5" machine to 72" WOC	\$730.38	\$987.00
068099	3 TrimTek Cutting Decks Pack (includes deck frames and shells, w/ casters and rollers. Does not include 4138728 (3 required))	\$4,782.62	\$6,463.00
* 4138728	Reverse Rotation (counter clock wise) Hydraulic Deck Motors	\$494.60	\$668.38
* 4160780	Quick connect jumper cables (connects to adapter provided on unit)	\$198.32	\$268.00
* LMAC174	Transport Latch Fitting Kit (for 72" machines)	\$139.86	\$189.00

Common Maintenance Parts

Blades

* 4163101	Combination Blade. Standard blade on unit. Best cut quality. (Counter clock wise rotation)	\$16.49	\$22.28
* 4139103	High lift blade. Cool season grasses. (Counter clock wise rotation)	\$15.70	\$21.22
* 4138725	Low lift blade. Downdraft blade - Warm season grasses. (Counter clock wise rotation)	\$16.49	\$22.28
* 4129639	Standard blade (Counter clock wise rotation)	\$16.49	\$22.28

Hydraulic Fluid

* 5003104	GreensCare 46 - 5 gallon pail	\$142.88	\$193.08
* 5003105	GreensCare 46 - 55 gallon drum	\$1,454.74	\$1,965.87
* 4219840	GreensCare Plus 46 - 5 gallon pail	\$219.83	\$297.06

AR522	The AR522 features standard five TrimTek decks, SureTrac 4WD, foldable ROPS with seat belt, headlights, suspension seat with armrest and onboard control module. Factory filled with GreensCare 68 Bio hydraulic fluid. Tier 4 Final (Stage IIIB) Engine (common rail and DPF) model requires use of Ultra-low sulfur diesel (ULSD).		
--------------	---	--	--

068132	AR522-T4F (Sold in ULSD countries only)	\$49,709.50	\$67,175.00
--------	---	-------------	-------------

Accessories

068127	Canopy / Sunshade Kit - Adjustable	\$796.98	\$1,077.00
068005	Wheel Weight Kit (For 068131 T4i, 068131 T4F, and 068132 AR722T)	\$173.90	\$235.00
068006	AR522 Premium Air-ride Seat Kit (Grammar MSG95)	\$1,094.46	\$1,479.00
4265201	AR522 Jacobsen Ball Cage – ACC for dealer installation (6-post ROPS, Canopy, Lexan windshield, Steel framed doors, Metal mesh fixed windows, sides and rear surround, Rear wheel and bumper weights)	\$2,675.10	\$3,615.00
4265202	AR522 Jacobsen Ball Cage – MOD, factory installed (6-post ROPS, Canopy, Lexan windshield, Steel framed doors, Metal mesh fixed windows, sides and rear surround, Rear wheel and bumper weights)	\$3,176.08	\$4,292.00

Common Maintenance Parts

Blades

* 4163106	Combo blade (standard)	\$16.49	\$22.28
* 4137186	High Lift blade	\$16.49	\$22.28
* 4124087	Low Lift blade	\$13.35	\$18.04

Hydraulic Fluid

* 5003103	GreensCare 68 - 5 gallon pail	\$146.01	\$197.32
* 5003102	GreensCare 68 - 55 gallon drum	\$1,528.56	\$2,065.62
* 4219860	GreensCare Plus 68 - 5 gallon pail	\$226.88	\$306.60



Model No.	Description	NJPA Net Price	
		USD	List Price USD
AR722T	The AR722T features standard seven TrimTek decks, SureTrac 4WD, foldable ROPS with seat belt, headlights, premium air-ride suspension seat with armrests. Factory filled with GreensCare 68 Bio hydraulic fluid. Tier 4 Final (Stage IIIB) Engine (common rail and DPF) model requires use of Ultra-low sulfur diesel (ULSD).		
068233	AR722T-T4F <i>(Sold in ULSD countries only)</i>	\$62,277.66	\$84,159.00
Accessories			
068127	Canopy / Sunshade Kit - Adjustable	\$796.98	\$1,077.00
068005	Wheel Weight Kit (For 068131 T4i, 068131 T4F, and 068132 AR722T)	\$173.90	\$235.00
Common Maintenance Parts			
Blades			
* 4163106	Combo blade (standard)	\$16.49	\$22.28
* 4137186	High Lift blade	\$16.49	\$22.28
* 4124087	Low Lift blade	\$13.35	\$18.04
Hydraulic Fluid			
* 5003103	GreensCare 68 - 5 gallon pail	\$146.01	\$197.32
* 5003102	GreensCare 68 - 55 gallon drum	\$1,528.56	\$2,065.62
* 4219860	GreensCare Plus 68 - 5 gallon pail	\$226.88	\$306.60



Contract Number 070313-JCS

Company Confidential

* Service item - purchased through the parts department. (N)- new item or updated part number. All prices are Ex Works Charlotte, NC unless otherwise specified

Model No.	Description	NJPA Net Price	
		USD	List Price USD
TurfCat	TurfCat models feature standard foldable ROPS with seat belt, suspension seat with armrests and quick connect hydraulic fittings for front implements; less cutting decks.		

069180-2211	TurfCat 2WD, Standard Seat	\$15,397.18	\$20,807.00
069180-2212	TurfCat 2WD, Premium Seat	\$15,628.80	\$21,120.00
069180-4211	TurfCat 4WD, Standard Seat	\$17,330.80	\$23,420.00
069180-4212	TurfCat 4WD, Premium Seat	\$17,562.42	\$23,733.00

Cutting Units (for Model# 069180 dealer installed, includes mounting kit)

069189	60" Rear discharge deck; hydraulic drive	\$3,071.74	\$4,151.00
069191	63" Side discharge deck; hydraulic drive	\$3,218.26	\$4,349.00
069190	72" Rear discharge deck; hydraulic drive	\$3,644.50	\$4,925.00
069192	72" Side discharge deck; hydraulic drive	\$3,644.50	\$4,925.00
069194	60" Flail Mower; hydraulic drive	\$4,558.40	\$6,160.00
4307975	Mulching Kit, 72" RD (fits 069190)	\$536.50	\$725.00
4308077	Mulching Kit, 60" RD (fits 069189)	\$557.22	\$753.00
4337066	Mulching Kit, 72" SD (fits 069192)	\$519.48	\$702.00
069188	TurfCat Tow Hitch Kit	\$363.34	\$491.00
BT-TC/HY1	Buffalo Turbine Blower	\$4,462.20	\$6,030.00

Note: For decks that fit previous 600 series TurfCats, see Tier 4 Interim section at the end of the price list

Accessories

068127	Canopy / Sunshade Kit - Adjustable	\$796.98	\$1,077.00
* 4336131	Semi-pneumatic Wheel & Tire Assembly, 11"	\$70.12	\$94.76

Common Maintenance Parts

Blades (for model# 69180 only, 3 required per deck)

* 4150198	Blade, 21" Offset Low Lift (60 Inch Rear Discharge Deck)	\$14.92	\$20.16
* 4158841	Blade, 25" Offset Low Lift (72 Inch Rear Discharge Deck)	\$16.01	\$21.63
* 4176600	Blade, 22" Offset High Lift (63 Inch Side Discharge Deck)	\$13.35	\$18.04
* 4298184	Blade, 25" Offset High Lift (72 Inch Side Discharge Deck)	\$14.92	\$20.16

Hydraulic Fluid (Standard)

* 2500548	10W-30, 2.5 gallon pail, 2 pack	\$107.55	\$145.34
* 2500546	10W-30, 5 gallon pail	\$113.83	\$153.83

Hydraulic Fluid (Optional)

* 5003103	GreensCare 68 - 5 gallon pail	\$146.01	\$197.32
* 5003102	GreensCare 68 - 55 gallon drum	\$1,528.56	\$2,065.62
* 4219860	GreensCare Plus 68 - 5 gallon pail	\$226.88	\$306.60

Climate Controlled Cabs and Cab Accessories (for Model# 069180)

4312286	TurfCat Jacobsen Cab – ACC, for dealer installation (ROPS glass cab, Heater, defrost fan, interior mirror, front wiper and washer, front work lights, 4-way flashers/signals, rear weights)	\$6,571.94	\$8,881.00
4312287	TurfCat Jacobsen Cab – MOD, factory installed (ROPS glass cab, Heater, defrost fan, interior mirror, front wiper and washer, front work lights, 4-way flashers/signals, rear weights)	\$7,346.72	\$9,928.00
4265198	Rear Adjustable Work Light Kit for TurfCat Cab	\$77.70	\$105.00

TurfCat Third-party Accessories

The following attachments have been designed and approved for use by the respective manufacturer on the TurfCat. Communications, including ordering, pricing and terms, should be made directly with the listed suppliers. Jacobsen makes no warranty or commitment with regard to the functionality, reliability, or safety of these third-party products.

Rotary Brush / Front Blades / Snow Blower

M-B Company
1200 Park Street Box 148, Chilton, WI 53014-0148
Phone: 888-558-5801 or 920-898-4203 Fax: 920-898-4588



Contract Number 070313-JCS

Model No.	Description	NJPA Net Price	
		USD	List Price USD
HR Series			
The HR series features standard SureStrength decks, SureTrac 4WD, Tilt Sensor Technology (TST), foldable ROPs with seat belt, 4WD, cruise control, and suspension seats. Deluxe cloth air suspension seat standard with cab units. Factory filled with ISO VG46 hydraulic fluid. Tier 4 Final (Stage IIIB) engine (common rail and DPF) requires ultra low sulfur diesel (ULSD) fuel.			
HR600			
(N) 070546-6613010	HR600	\$59,496.00	\$80,400.00
(N) 070546-6624010	HR600 with factory installed cab (Climate controlled cab is equipped with A/C & heat, heated front glass with wiper, deluxe air suspension seat, interior & exterior mirrors, 2 amber beacons, left glass assist door with locking handle and rear emergency exit)	\$73,926.00	\$99,900.00
HR700			
070544	HR700	\$67,857.26	\$91,699.00
070545	HR700 with factory installed cab (Climate controlled cab is equipped with A/C & heat, heated front glass with wiper, deluxe air suspension seat, interior & exterior mirrors, 2 amber beacons, left glass assist door with locking handle and rear emergency exit)	\$82,575.86	\$111,589.00
HR800			
070543-4613110	HR800	\$82,214.00	\$111,100.00
070543-4624110	HR800 with factory installed cab (Climate controlled cab is equipped with A/C & heat, heated front glass with wiper, deluxe air suspension seat, interior & exterior mirrors, 2 amber beacons, left glass assist door with locking handle and rear emergency exit)	\$96,789.04	\$130,796.00
Accessories			
068127	Canopy / Sunshade Kit - Adjustable	\$796.98	\$1,077.00
LMAC641	HR Road Light Kit (Includes flashers, turn signals, brake lights, headlights)	\$1,395.64	\$1,886.00
LMAC531A	Beacon Kit	\$377.40	\$510.00
LMAC590	Kit, Road Lights for Cab (Includes flashers, turn signals, brake lights, headlights)	\$834.72	\$1,128.00
LMAC599F	Rear Wiper Kit for Cab	\$185.00	\$250.00
* 4336131	Semi-pneumatic Wheel & Tire Assembly, 11"	\$70.12	\$94.76
Common Maintenance Parts			
Blades			
* 4150198	Blade, 21" Offset Low Lift (HR600 Front deck, HR700)	\$14.92	\$20.16
* 4339006	Blade, 23" Offset High Lift (HR800 Wing Deck equipped standard)	\$15.30	\$20.68
* 4298184	Blade, 25" Offset High Lift (HR800 Front Deck equipped standard)	\$14.92	\$20.16
* 4291662	Blade, 23" Offset Low Lift (HR600 Wing Deck equipped standard, HR800 Wing Deck)	\$16.93	\$22.88
* 4158841	Blade, 25" Offset Low Lift (HR800 Front Deck)	\$16.01	\$21.63
Hydraulic Fluid (Standard)			
* 4361006	ISO VG46 - 5 gallon pail	\$99.50	\$134.46



Contract Number 070313-JCS

Company Confidential

* Service item - purchased through the parts department. (N)- new item or updated part number. All prices are Ex Works Charlotte, NC unless otherwise specified

Model No.	Description	NJPA Net Price	
		USD	List Price USD
Renovation and Finishing Equipment			

Groom Master II Groom Master II models feature standard ROPS with seat belt, 3WD, headlight, power steering, hydraulic implement lift, and hand rake holder.

088010	Groom Master II, Vanguard Gas engine	\$14,927.79	\$20,172.69
088043	Groom Master II, Kubota Diesel engine (replaces 088042)	\$17,800.64	\$24,054.91

Accessories

088023	Crating (stackable)	\$521.70	\$705.00
088019	Blade, manual lift	\$580.16	\$784.00
088114	Cultivator (includes hydraulic controls - choice of feet below must be ordered separately)	\$816.22	\$1,103.00
4139789	Straight blade feet (less aggressive than duck feet below)	\$113.22	\$153.00
4139788	Duck feet (as previously supplied with old cultivator)	\$196.84	\$266.00
088115	Hydraulic controls for blade or scarifier	\$361.12	\$488.00
891768	Drag mat with carrier	\$745.92	\$1,008.00
891763	Fan rake, add-on	\$355.94	\$481.00
894134	Rear rake implement	\$556.48	\$752.00
891717	Scarifier with leveling blade (Requires 088115)	\$738.52	\$998.00

Common Maintenance Parts

Hydraulic Fluid

* 5003103	GreensCare 68 - 5 gallon pail	\$146.01	\$197.32
* 5003102	GreensCare 68 - 55 gallon drum	\$1,528.56	\$2,065.62
* 4219860	GreensCare Plus 68 - 5 gallon pail	\$226.88	\$306.60

Third-party Accessories

The following attachments have been designed and approved for use by the respective manufacturer on the Groom Master II. Communications, including ordering, pricing and terms, should be made directly with the listed suppliers. Jacobsen makes no warranty or commitment with regard to the functionality, reliability, or safety of these third-party products.

Flip-up finishing brush / Infield Conditioner (straight blades or spring tine types)

Rahn Industries, 9409 McColl Drive, Savage, MN 55378
 Phone: 1-800-298-1707 Fax: 952-445-0606
www.rahn groomer.com/textron.html

214 Verticut The tractor mounted 214 Verticut features three 30" Verticut reels with a combined cutting width of 84". Reels are hydraulically driven by a self contained hydraulic system powered from the tractor by mechanical PTO. A manual selector valve provides forward, reverse or neutral rotation. Requires 30hp, 1-3/8" x 6 spline 540rpm PTO and a Cat 1 or Cat 2 three-point hitch.

USAV201	214 Verticut	\$17,310.82	\$23,393.00
---------	--------------	-------------	-------------

Common Maintenance Parts

Reel

* MBC3626.7	Verticut Reel	\$671.92	\$908.00
-------------	---------------	----------	----------

Blades

* 009200388	Verticut Blade	\$2.22	\$3.00
-------------	----------------	--------	--------



Model No.	Description	NJPA Net Price	
		USD	List Price USD
GA-24	The Greensaire GA-24 aerator with OPC (operator presence control) comes standard with twelve DuraTine XLT 1/2" diameter (5/8" mount diameter) top eject tines in Twin Tine holders producing a 2" x 2" hole pattern over a 24" width. Use of 1/2" or 3/4" mount requires an accessory tine holder.		

058234	GA-24	\$14,532.86	\$19,639.00
--------	-------	-------------	-------------

Accessories

058231	Quad Tine Kit with 1/2" (5/8" mount) coring tines, quad tine holder, and turfguard	\$750.36	\$1,014.00
4116986	Quad Tine Kit with 1/4" (1/2" mount) coring tines, quad tine holder, and turfguard	\$705.22	\$953.00
4116987	Quad Tine Kit with 1/4" (1/2" mount) solid tines, quad tine holder, and turfguard	\$749.62	\$1,013.00
* 547849	Quad Tine holder for 1/4" (1/2" mount) tines	\$77.72	\$105.03
* 4176460	Quad Tine holder for 1/2" (5/8" mount) tines	\$119.33	\$161.26
* 547860	Twin Tine holder for 1/2" (5/8" mount) tines	\$58.88	\$79.57
* 547861	Twin Tine holder for 5/8" (3/4" mount) tines	\$58.09	\$78.51
0544918	Windrow (removes cores from wheel path)	\$591.26	\$799.00

Tines

* 523864	Original - 1/4" Solid Side Eject, 1/2" Mount Diameter	\$3.93	\$5.30
* 4180561	DuraTine XLT - 1/4" Solid Side Eject, 1/2" Mount Diameter	\$11.78	\$15.91
* 517486	Original - 1/4" Top Eject, 5/8" Mount Diameter	\$2.25	\$3.04
* 4180562	DuraTine XL - 1/4" Solid, 1/2" Mount Diameter	\$5.34	\$7.21
* 4180563	DuraTine XL - 1/4" Solid, 5/8" Mount Diameter	\$6.28	\$8.49
* 517487	Original - 3/8" Top Eject, 5/8" Mount Diameter	\$1.57	\$2.12
* 4180564	DuraTine XL - 3/8" Solid, 5/8" Mount Diameter	\$5.50	\$7.43
* 517488	Original - 1/2" Top Eject, 5/8" Mount Diameter	\$1.57	\$2.12
* 4180566	DuraTine XL - 1/2" Top Eject, 5/8" Mount Diameter	\$3.93	\$5.30
* 4180567	DuraTine XLT - 1/2" Top Eject, 5/8" Mount Diameter	\$10.21	\$13.79
* 517489	Original - 5/8" Top Eject, 3/4" Mount Diameter	\$3.14	\$4.24
* 4180571	DuraTine XL - 5/8" Top Eject, 3/4" Mount Diameter	\$5.50	\$7.43
* 4180572	DuraTine XL T - 5/8" Top Eject, 3/4" Mount Diameter	\$11.78	\$15.91
* 4180573	DuraTine XL - 5/8" Solid, 3/4" Mount Diameter	\$7.85	\$10.61
* 2702060	VenTine - 3/16" x 5/8" Vent, 5/8" Mount Diameter	\$9.42	\$12.73

GA600	The GA600 is a deep tine aerator with a working depth of 12" and a working width of 72". The GA600 is the first machine on the market with the ability to achieve both deep and shallow aeration in the same pass (requires AerStrike™ 4 tine head attachments.		
--------------	--	--	--

058235	GA600 Deep Tine Aerator	\$23,384.00	\$31,600
--------	-------------------------	-------------	----------

Accessories

058246	AerStrike™ 4 Kit - includes set of six tine heads and hardware	\$2,293	\$3,099
--------	--	---------	---------

Specialty Mowers

HoverKing	The HoverKing comes in two widths 16" or 20" and is standard with OPC (operator presence control) a durable HDPE deck, padded handle and 3.0" height of cut. Three cutting kit options are avail be, metal blade, metal plastic blade, or string.		
------------------	--	--	--

(Not CE Compliant)

032251	20" Hover King	\$713	\$891.00
032257	16" Hover King	\$561.60	\$702.00

Accessories

032252	20" Metal Blade Cutting Kit	\$87.20	\$109.00
032253	20" Plastic Blade Cutting Kit	\$87.20	\$109.00
032254	20" String Cutting Kit	\$87.20	\$109.00
032255	Handle Extension Kit – 20"	\$128.80	\$161.00
032258	16" Metal Blade Cutting Kit	\$72.80	\$91.00
032259	16" Plastic Blade Cutting Kit	\$72.80	\$91.00
032260	16" String Cutting Kit	\$72.80	\$91.00
032261	Handle Extension Kit – 16"	\$132.00	\$165.00
032256	Wheel Kit (16" and 20")	\$103.20	\$129.00



Model No.	Description	NJPA Net Price	
		USD	List Price USD
Utility Vehicles and Sprayers			

TRUCKSTER LS/LX	Truckster LS/LX models feature 13 hp Kawasaki engine, continuously variable transmission, 800 lb capacity, polyethylene bed , brush guard, hour meter, fuel gauge, premium models include brake lights, tail lights, and 12 volt outlet, LX model features larger tires
------------------------	--

(For sale in North America only)

648598G01-B	Truckster LS <i>(base)</i>	\$7,260.00	\$9,075.00
648598G01-P	Truckster LS <i>(premium)</i>	\$7,506.40	\$9,383.00
648599G01-B	Truckster LX <i>(base)</i>	\$6,175.20	\$7,719.00

TRUCKSTER MS/MX	New 2017 Truckster MS/MX models feature 13 hp Kawasaki engine, continuously variable transmission, up to 1200 lb capacity, polyethylene bed (base models) or aluminum bed (premium models), hour meter, fuel gauge, premium models include brake lights, tail lights, 12 volt outlet, MX model features higher ground clearance
------------------------	--

(For sale in North America only)

(N) 651388G01-B	Truckster MS <i>(base)</i>	\$8,390.40	\$10,488.00
(N) 651388G01-P	Truckster MS <i>(premium)</i>	\$9,242.40	\$11,553.00
(N) 651390G01-B	Truckster MX <i>(base)</i>	\$7,460.80	\$9,326.00
(N) 651390G01-P	Truckster MX <i>(premium)</i>	\$8,227.20	\$10,284.00

2016 Models - Limited Availability

648600G01-B	Truckster MS <i>(base) - Limited Availability</i>	\$8,104.80	\$10,131.00
648600G01-P	Truckster MS <i>(premium)- Limited Availability</i>	\$8,720.00	\$10,900.00
648601G01-B	Truckster MX <i>(base) - Limited Availability</i>	\$7,192.80	\$8,991.00
648601G01-P	Truckster MX <i>(premium) - Limited Availability</i>	\$7,762.40	\$9,703.00

TRUCKSTER MS-E/MX-E	New 2017 Truckster MS/MX models feature 72 volt all electric drive, 350 amp controller, up to 1000 lb capacity, polyethylene bed (base models) or aluminum bed (premium models), hour meter, state of charge indicator, on board charger, premium models include brake lights, tail lights, and 12 volt outlet, MX-E model features higher ground clearance
----------------------------	--

(For sale in North America only)

(N) 651396G01-B	Truckster MS-E <i>(base)</i>	\$9,256.00	\$11,570.00
(N) 651396G01-P	Truckster MS-E <i>(premium)</i>	\$10,304.80	\$12,881.00
(N) 651401G01-B	Truckster MX-E <i>(base)</i>	\$9,484.00	\$11,855.00
(N) 651401G01-P	Truckster MX-E <i>(premium)</i>	\$10,510.40	\$13,138.00

2016 Models - Limited Availability

648602G01-B	Truckster MS-E <i>(base) - Limited Availability</i>	\$8,934.40	\$11,168.00
648602G01-P	Truckster MS-E <i>(premium) - Limited Availability</i>	\$9,718.40	\$12,148.00
648603G01-B	Truckster MX-E <i>(base) - Limited Availability</i>	\$9,214.40	\$11,518.00
648603G01-P	Truckster MX-E <i>(premium) - Limited Availability</i>	\$9,784.00	\$12,230.00

Truckster LS/LX, MS/MX, MS-E/MX-E Accessories Next Page



Contract Number 070313-JCS

Company Confidential

* Service item - purchased through the parts department. (N) - new item or updated part number. All prices are Ex Works Charlotte, NC unless otherwise specified

Model No.	Description						NJPA Net Price					
		USD	List Price	USD								
Truckster LS/LX, & 2016 Model MS/MX, MS-E/MX-E Accessories						LS	LX	MS	MX	M-E		
EZG-74245G01	LIGHT, STROBE-KIT			x	x						\$159.20	\$199.00
EZG-638364	54" Black Canopy Kit	x	x	x	x	x					\$341.60	\$427.00
EZG-624832	ENCLOSURE WHITE-KIT	x	x	x	x	x					\$382.40	\$478.00
EZG-624829	ENCLOSURE BLACK-KIT	x	x	x	x	x					\$382.40	\$478.00
EZG-638372	SPLIT WINDSHIELD	x	x	x	x	x					\$285.60	\$357.00
EZG-72684G02	CAB,STEEL W/O DOORS,WHITE-KIT	x		x		x					\$2,079.20	\$2,599.00
EZG-75856G02	DOOR-SET, STEEL-WHITE	x		x		x					\$1,039.20	\$1,299.00
EZG-74250G01	INSTRUMENT SWITCH PANEL-KIT	x		x		x					\$268.00	\$335.00
EZG-74247G01	LIGHT,WORK-KIT	x		x		x					\$147.20	\$184.00
EZG-27924G01	MIRROR,REAR VIEW,CURTIS CAB-KIT	x		x		x					\$80.80	\$101.00
EZG-72763G02	SCUFF GUARD DIFFERENTIAL-MOD									x	\$29.60	\$37.00
EZG-627120	HEADLIGHT,LED-KIT	x	x	x	x						\$265.60	\$332.00
EZG-19528G2	MIRROR,REAR VIEW					x					\$80.80	\$101.00
EZG-74244G01	WIPER-KIT (Fits Cab EZG-72684G02)					x					\$176.00	\$220.00
EZG-622712	TURN SIGNALS-FIELD KIT	x	x	x	x	x					\$156.80	\$196.00
EZG-634691	TURN SIGNALS,72V-KIT									x	\$105.60	\$132.00
EZG-74164G02	Aluminum Bed Electric Lift Kit					x	x				\$471.20	\$589.00
EZG-74658G04	Poly Bed Electric Lift Kit					x	x				\$471.20	\$589.00
EZG-647191	REAR RECEIVER HITCH, LS/LX	x	x								\$48.80	\$61.00
EZG-647190	REAR RECEIVER HITCH, MS/MX					x	x				\$48.80	\$61.00
EZG-647192	Rear Receiver Hitch, MS-E, MX-E									x	\$48.80	\$61.00
New 2017 Truckster MS/MX, MS-E/MX-E Accessories						MS	MX	M-E				
(N) EZG-651917G01	Canopy			x	x	x					\$208.00	\$260.00
(N) EZG-649825	Folding windshield			x	x	x					\$132.80	\$166.00
(N) EZG-652855	Cab includeds doors, wipers, and side mirrors			x	x	x					\$3,356.80	\$4,196.00
(N) EZG-653019G03	Brush Guard (Cab)			x	x	x					\$73.60	\$92.00
(N) EZG-651048	Brush Guard			x	x	x					\$68.80	\$86.00
(N) EZG-618916	Strobe Light			x	x	x					\$232.80	\$291.00
(N) EZG-629631	Work Lights (requires Instrument Switch Kit EZG-656410)			x	x	x					\$256.00	\$320.00
(N) EZG-634691	Turn Signals			x	x	x					\$105.60	\$132.00
(N) EZG-656410	Instrument Switch Kit			x	x	x					\$9.60	\$12.00
(N) EZG-652854	ROPS kit			x	x	x					\$531.20	\$664.00
(N) EZG-652856	Ball Cage - includes doors			x	x	x					\$3,200.00	\$4,000.00
(N) EZG-750962PKG	Electronic bed dump kit - MS/MX poly bed only (base spec)			x	x						\$435.20	\$544.00
(N) EZG-750965PKG	Electronic bed dump kit - MS/MX aluminum bed only (prem spec)			x	x						\$345.60	\$432.00
(N) EZG-750964PKG	Electronic bed dump kit - MSE/MXE poly bed only (base spec)									x	\$440.00	\$550.00
(N) EZG-750963PKG	Electronic bed dump kit - MSE/MXE aluminum bed only (prem spec)									x	\$348.80	\$436.00
(N) EZG-750966PKG	USB dash outlet kit			x	x	x					\$68.80	\$86.00
(N) EZG-750967PKG	12 volt dash outlet kit			x	x	x					\$15.20	\$19.00



Model No.	Description	NJPA Net Price	
		USD	List Price USD
TRUCKSTER HX	Truckster HX includes canopy and safety lamps (horn, brake lights, turn signal lamps, hazard switch)		

(For sale in North America, South America, Japan and Africa)

084093	Truckster HX	\$10,897.98	\$14,727.00
--------	--------------	-------------	-------------

Truckster HX Accessories

U3215-97004	Windshield Kit	\$258.26	\$349.00
U3210-97341	Wiper Kit	\$145.78	\$197.00
U3210-97501	Front Hitch Receiver Kit	\$68.82	\$93.00
U3215-33008	Hydraulic Dumping Kit	\$918.34	\$1,241.00
U3215-33102	Remote Hydraulic Kit	\$407.74	\$551.00
U3215-74401	Hand Throttle Kit	\$36.26	\$49.00
U3215-92852	Skid Plates Kit	\$92.50	\$125.00
U3215-97916	Rear Screen Kit	\$253.08	\$342.00
U3215-96781	Soft Cabin Kit	\$664.52	\$898.00
U3215-60254	Fog Lamp Kit	\$93.98	\$127.00
U3215-60304	Working Lamp Kit	\$82.88	\$112.00
U3210-97601	Headrest Kit	\$194.62	\$263.00
U3215-97803	Rear View Mirror Kit	\$53.28	\$72.00
U3210-98902	Bed Height Extension Kit	\$253.08	\$342.00
U3215-91151	License Plate Kit	\$51.80	\$70.00
U3215-97551	Winch Bracket	\$42.92	\$58.00
U3215-61101	Safety Lamp Kit (horn, brake lights, turn signal lamps, hazard switch) - replacement parts (Truckster HX standard equipment)	\$82.88	\$112.00
U3215-97753	Sun Canopy Kit - replacement parts (Truckster HX standard equipment)	\$221.26	\$299.00



Contract Number 070313-JCS

Model No.	Description	NJPA Net Price	
		USD	List Price USD
TRUCKSTER XD All Truckster XD models feature liquid-cooled engine, five speed transmission, 2-speed rear axle, electronic locking differential, four wheel disk brakes, hydraulic steering, hydraulic powered dump, 2-post ROPS, adjustable bucket seat, seat belt, head lights, horn, phone/cup holder, 12V power plug outlet, and 4-ply turf tread rear tires.			
Base Models Gas			
084082-11221100000	Truckster XD - Gas with Manual Transmission, 2WD	\$19,973.34	\$26,991.00
084082-11421100000	Truckster XD - Gas with Manual Transmission, 4WD	\$23,628.94	\$31,931.00
Base Models Diesel			
084082-12221100000	Truckster XD - Diesel with Manual Transmission, 2WD	\$20,776.24	\$28,076.00
084082-12421100000	Truckster XD - Diesel with Manual Transmission, 4WD	\$24,360.80	\$32,920.00
Base Model Options (Factory Installed) - use configuration tool to create part number with factory installed options			
	4 Post ROPS	\$310.06	\$419.00
	Ribbed front tire (standard on 2WD, optional on 4WD)		\$0.00
	Treaded front tire (standard on 4WD, optional on 2WD)		\$0.00
	Premium operator seat / standard passenger seat	\$186.48	\$252.00
	Premium operator and passenger seat	\$344.10	\$465.00
	Auxiliary Hi/Lo Hydraulics with remote ports	\$1,278.72	\$1,728.00
	66" Heavy Duty Box and Tailgate	\$1,849.26	\$2,499.00
	Hitch, 2" Receiver	\$225.70	\$305.00
(N)	Hydraulic PTO (requires Auxiliary Hi/Lo Hydraulics)	\$899.10	\$1,215.00
	Throttle and speed control - Gas	\$421.06	\$569.00
	Throttle and speed control - Diesel	\$205.72	\$278.00
	Cab only (includes 4 post ROPS, canopy, front and rear windows, front wiper, dome light and head liner) Not compatible with Core Harvester	\$2,762.42	\$3,733.00
	Cab with Doors	\$5,265.84	\$7,116.00
(N)	Heater Defroster	\$888.00	\$1,200.00
	All function wire harness (needed for pin mount sprayers)	\$544.64	\$736.00
	Fifth gear lockout	\$60.68	\$82.00
Accessories (Dealer Installed)			
4338307	Hitch, receiver style	\$373.70	\$505.00
4318046	Drawbar (male insert only)	\$41.44	\$56.00
4338589	Throttle control / governor - gas	\$421.06	\$569.00
4338466	Throttle control / governor - dsl	\$314.50	\$425.00
4311776	Bulk Storage area	\$183.52	\$248.00
4337867	Box and tailgate assembly, 66", quick disconnect	\$1,966.92	\$2,658.00
4338470	Hydraulics, high/low kit (Serial number 1650 - 2471)	\$1,876.64	\$2,536.00
(N) 4365326	Hydraulics, high/low kit (Serial number 2500 -)	\$1,876.64	\$2,536.00
4338686	Seat, premium (operator or passenger)	\$418.84	\$566.00
4344486	5th gear lockout	\$60.68	\$82.00
4338587	Turn signals	\$203.50	\$275.00
4336726	Alarm, back-up kit, variable pitch	\$185.00	\$250.00
4329826	4 Post ROPS kit	\$497.28	\$672.00
4348346	Mirrors, outside (left and right) Fits 4 Post ROPS or Cab	\$227.92	\$308.00
4310834	Auto Tailgate	\$349.28	\$472.00
4336047	Vicon Spreader (Truckster XD) requires Mounting kit 4311773)	\$5,824.86	\$7,871.43
4311773	Vicon Mounting Kit (Truckster XD)	\$681.86	\$921.43
4336048	Vicon Retro fit kit - mounts PN 2701600 to Truckster XD includes all hydraulic components (Requires Vicon Mounting kit 4311773)	\$1,110.00	\$1,500.00
4309575	Top Dresser 1500 (Truckster XD) Requires Mounting kit (4347366)	\$6,311.46	\$8,529.00
4347366	Top Dresser Mounting Kit (Truckster XD)	\$714.10	\$965.00
4347127	Core Harvester, for mounting to 66" steel bed (Truckster XD)	\$5,433.82	\$7,343.00
4311054	Conversion Kit to mount Ch PN 4119652 (old CoreHarvester) to Truckster XD	\$675.62	\$913.00
4311778	Quick Aerator (two drum 46" working width) - includes deep slicing knives	\$4,439.26	\$5,999.00
4347206	Quick Aerator retrofit - mounts PN 2701529 to Truckster XD	\$317.46	\$429.00
4316688	Cab - with front windshield, wiper, rear window & dome light (Requires 4-post ROPS kit)	\$3,031.04	\$4,096.00
(N) 4325731	Cab Heater and Defroster	\$1,012.32	\$1,368.00
4341480	Doors - left and right doors with sliding glass window	\$3,025.12	\$4,088.00
4341482	Windshield with dual two speed wipers opens outward with adjustable slide	\$1,052.28	\$1,422.00



Model No.	Description	NJPA Net Price	
		USD	List Price USD
4341484	Window, rear – opens outward with adjustable slide	\$571.28	\$772.00
4345886	Canopy for 2 Post ROPS	\$669.70	\$905.00
4331487	Canopy for 4 Post ROPS (Does not include 4-post ROPS) not compatible with windshield	\$518.00	\$700.00
(N) 4338467	Hydraulic PTO (requires Auxiliary Hi/Lo Hydraulics)	\$899.10	\$1,215.00
4336850	Electric brake controller (Truckster XD)	\$253.08	\$342.00
4300893	Fifth wheel ball hitch (Truckster XD)	\$817.70	\$1,105.00
4346487	Implement Lift ("A" frame) -Truckster XD accessories and SprayTek XP pin-mount	\$1,494.06	\$2,019.00
4347246	Front brush guard (Truckster XD)	\$361.86	\$489.00
4300887	Work Lights (Truckster XD)	\$620.12	\$838.00

Third-party Accessories

The following attachments have been designed and approved for use by the respective manufacturer on the Truckster XD. Communications, including ordering, pricing and terms, should be made directly with the listed suppliers. Jacobsen makes no warranty or commitment with regard to the functionality, reliability, or safety of these third-party products.

UTX 44 Scissor Lift Accessory (Non-CE)

Innovative Equipment, LLC
 8404 Venture Circle, Schofield, WI 54476
 Phone: 715 359 3002 Fax: 715.241.9305



Contract Number 070313-JCS

Company Confidential

* Service item - purchased through the parts department. (N)- new item or updated part number. All prices are Ex Works Charlotte, NC unless otherwise specified

Model No.	Description	NJPA Net Price	
		USD	List Price USD
SPRAYTEK XP			
All SprayTek XP models feature a polyethylene tank, stainless steel centrifugal pump, hi/lo hydraulics, speed controls, all function wire harness, liquid-cooled engine, 2-speed rear axle, electronic locking differential, four wheel disk brakes, hydraulic steering, 2-post ROPS, adjustable bucket seat, seat belt, head lights, horn, phone/cup holder, 12V power plug outlet, 4-ply turf tread rear tires.			
Base Model - 2WD			
084082-21221200101	Sprayer XP175 - Gas with Manual Transmission, 2WD	\$30,254.40	\$37,818.00
084082-31221200101	Sprayer XP300 - Gas with Manual Transmission, 2WD	\$32,534.40	\$40,668.00
084082-22221200201	Sprayer XP175 - Diesel with Manual Transmission, 2WD	\$31,169.60	\$38,962.00
084082-32221200201	Sprayer XP300 - Diesel with Manual Transmission, 2WD	\$33,432.80	\$41,791.00
Base Model - 4WD			
084082-21421200101	Sprayer XP175 - Gas with Manual Transmission, 4WD	\$34,206.40	\$42,758.00
084082-31421200101	Sprayer XP300 - Gas with Manual Transmission, 4WD	\$36,486.40	\$45,608.00
084082-22421200201	Sprayer XP175 - Diesel with Manual Transmission, 4WD	\$35,044.80	\$43,806.00
084082-32421200201	Sprayer XP300 - Diesel with Manual Transmission, 4WD	\$37,308.00	\$46,635.00
Base Model Options (Factory Installed) - use configuration tool to create part number with factory installed options			
	4 Post ROPS	\$335.20	\$419.00
	Ribbed front tire (standard on 2WD, optional on 4WD)		\$0.00
	Treaded front tire (standard on 4WD, optional on 2WD)		\$0.00
	Premium operator seat / standard passenger seat	\$201.60	\$252.00
	Premium operator and passenger seat	\$372.00	\$465.00
	Hitch, 2" Receiver	\$244.00	\$305.00
	Cab only (includes 4 post ROPS, canopy, front and rear windows, front wiper, dome)	\$2,986.40	\$3,733.00
	Cab with Doors	\$5,692.80	\$7,116.00
(N)	Heater Defroster	\$960.00	\$1,200.00
Sprayer Control Options			
4319746	Raven 203 Electric control system with individual boom control through motorized	\$3,996.00	\$4,995.00
4320026	Raven SCS440 Computer Spray Control System with individual boom control	\$6,756.80	\$8,446.00
4322364	Raven SCS440 Computer Spray Control System equipped with Capstan	\$3,767.20	\$4,709.00
4322546	Envizio Pro II Controller with Switch Pro with GPS mapping capabilities. Includes	\$10,576.00	\$13,220.00
Boom Options			
4323390	Premium spray boom - 15.0 ft. (4.5 m) with 9 nozzles and electric over hydraulic lift	\$4,655.20	\$5,819.00
4320589	Premium spray boom - 18.5 ft. (5.5 m) with 11 nozzles and electric over hydraulic	\$4,740.00	\$5,925.00
4320590	Premium spray boom - 20.0 ft. (6 m) with 12 nozzles and electric over hydraulic lift	\$4,814.40	\$6,018.00
4323391	Advance Precision Control Boom with Capstan Sharp Shooter Technology - 15.0 ft.	\$13,218.40	\$16,523.00
4322360	Advance Precision Control Boom with Capstan Sharp Shooter Technology - 18.5 ft.	\$13,842.40	\$17,303.00
4322361	Advance Precision Control Boom with Capstan Sharp Shooter Technology - 20.0 ft.	\$14,282.40	\$17,853.00



Contract Number 070313-JCS

Company Confidential

* Service item - purchased through the parts department. (N)- new item or updated part number. All prices are Ex Works Charlotte, NC unless otherwise specified

Model No.	Description	NJPA Net Price	
		USD	List Price USD
Accessories (Dealer Installed)			
(N) 4335126	Acc, SprayTek XP175 - Pinmount kit, includes: tank, frame, and pump	\$6,743.20	\$8,429.00
(N) 4335127	ACC, SPRAYTEK XP300 - Pinmount kit, includes: tank, frame, and pump	\$8,914.40	\$11,143.00
4323447	Water Fill Meter Kit - Liters	\$340.00	\$425.00
4320593	Water Fill Meter Kit - Gallon	\$340.00	\$425.00
4322369	Foam Marking System	\$1,113.60	\$1,392.00
4319791	Clean Load chemical education system	\$1,492.00	\$1,865.00
4322126	Hose Reel Kit - Manual	\$1,137.60	\$1,422.00
4335026	Hose Reel Kit - Electric	\$1,828.80	\$2,286.00
4323488	HOSE, 50 ft' by 5/8" ID	\$177.60	\$222.00
4323487	100' HOSE, 100 ft. by 5/8" ID	\$254.40	\$318.00
4323489	200' HOSE, 200 ft. by 5/8" ID	\$446.40	\$558.00
4323628	Spray Gun	\$314.40	\$393.00
4323449	Boom shield (18.5' booms compatible only)	\$1,132.80	\$1,416.00
4320588	Tank Rinse Kit	\$296.00	\$370.00
4322149	Tank Wash System	\$1,754.40	\$2,193.00
4338587	Turn signals	\$220.00	\$275.00
4336726	Alarm, back-up kit, variable pitch	\$200.00	\$250.00
4348346	Mirrors, outside (left and right)	\$246.40	\$308.00
4329826	4 Post ROPS kit	\$537.60	\$672.00



Contract Number 070313-JCS

Company Confidential

* Service item - purchased through the parts department. (N)- new item or updated part number. All prices are Ex Works Charlotte, NC unless otherwise specified

Model No.	Description	NJPA Net Price	
		USD	List Price USD



Commercial Models	Engine	NJPA	MSRP
Magnum HP			
2244KW	Kawasaki FX 22	\$5,359.20	\$6,699.00
2250KW	Kawasaki FX 22	\$5,599.20	\$6,999.00
2460KW	Kawasaki FX 23.5	\$5,759.20	\$7,199.00
2750KOE	Kohler EFI 27	\$5,759.20	\$7,199.00
2760KOE	Kohler EFI 27	\$5,919.20	\$7,399.00
BlackHawk			
2248KW	Kawasaki FS 22	\$5,759.20	\$7,199.00
2554BR	Briggs Cyclonic 25	\$5,839.20	\$7,299.00
2560BR	Briggs Cyclonic 25	\$5,999.20	\$7,499.00
2454KW	Kawasaki FS 24	\$6,159.20	\$7,699.00
2460KW	Kawasaki FS 24	\$6,239.20	\$7,799.00
BlackHawk HP			
2248KW	Kawasaki FX 22	\$6,799.20	\$8,499.00
2548KOE	Kohler EFI 25	\$6,799.20	\$8,499.00
2454KW	Kawasaki FX 23.5	\$7,039.20	\$8,799.00
2554KOE	Kohler EFI 25	\$7,039.20	\$8,799.00
2460KW	Kawasaki FX 23.5	\$7,199.20	\$8,999.00
2560KOE	Kohler EFI 25	\$7,199.20	\$8,999.00
Silver Eagle			
2550KW	Kawasaki FX 25	\$7,599.20	\$9,499.00
2750KOE	Kohler EFI 27	\$7,759.20	\$9,699.00
2760KW	Kawasaki FX 27	\$8,399.20	\$10,499.00
2760KOE	Kohler EFI 27	\$8,719.20	\$10,899.00
Classic			
2750KW	Kawasaki FX 27	\$8,399.20	\$10,499.00
2760KW	Kawasaki FX 27	\$8,639.20	\$10,799.00
3160KW	Kawasaki FX 31	\$9,759.20	\$12,199.00
3160KOE	Kohler EFI 31	\$9,999.20	\$12,499.00
3672BR	Vanguard 36	\$10,079.20	\$12,599.00
3572KW	Kawasaki FX 35	\$10,159.20	\$12,699.00
3572KOE	Kohler EFI 35	\$10,399.20	\$12,999.00
XCaliber			
3160KW	Kawasaki FX 31	\$10,639.20	\$13,299.00
3360KOE	Kohler EFI 33	\$10,879.20	\$13,599.00
3566KW	Kawasaki FX 35	\$11,119.20	\$13,899.00
3366KOE	Kohler EFI 33	\$11,119.20	\$13,899.00
3674BR	Vanguard 36	\$11,279.20	\$14,099.00
3574KW	Kawasaki FX 35	\$11,439.20	\$14,299.00
3574KOE	Kohler EFI 35	\$11,679.20	\$14,599.00
Stryker Stand-On			
2548KWE	Kawasaki FX EFI 25	\$6,799.20	\$8,499.00
2554KWE	Kawasaki FX EFI 25	\$6,959.20	\$8,699.00
Pursuit Walk-Behind			
1532S	Kawasaki FS 15	\$2,879.20	\$3,599.00
1536S	Kawasaki FS 15	\$2,959.20	\$3,699.00
1536D	Kawasaki FS 15	\$3,839.20	\$4,799.00
1544D	Kawasaki FS 15	\$3,919.20	\$4,899.00



Model No.	Description	NJPA Net Price		
		USD	List Price USD	
Residential Models		Engine	NJPA	MSRP
Zee 2				
2342KO	Kohler 7000 - 23		\$3,239.20	\$4,049.00
2348KO	Kohler 7000 - 23		\$3,279.20	\$4,099.00
2348BR	B&S Cyclonic 23		\$3,359.20	\$4,199.00
2348KW	Kawasaki FR 23		\$3,519.20	\$4,399.00
2354KO	Kohler 7000 - 23		\$3,519.20	\$4,399.00
2354BR	B&S Cyclonic 23		\$3,599.20	\$4,499.00
2354KW	Kawasaki FR 23		\$3,759.20	\$4,699.00
Magnum				
2550KO	Kohler 7000 25		\$4,319.20	\$5,399.00
2450KW	Kawasaki FR 24		\$4,399.20	\$5,499.00
2560KO	Kohler 7000 25		\$4,479.20	\$5,599.00
2460KW	Kawasaki FR 24		\$4,559.20	\$5,699.00

